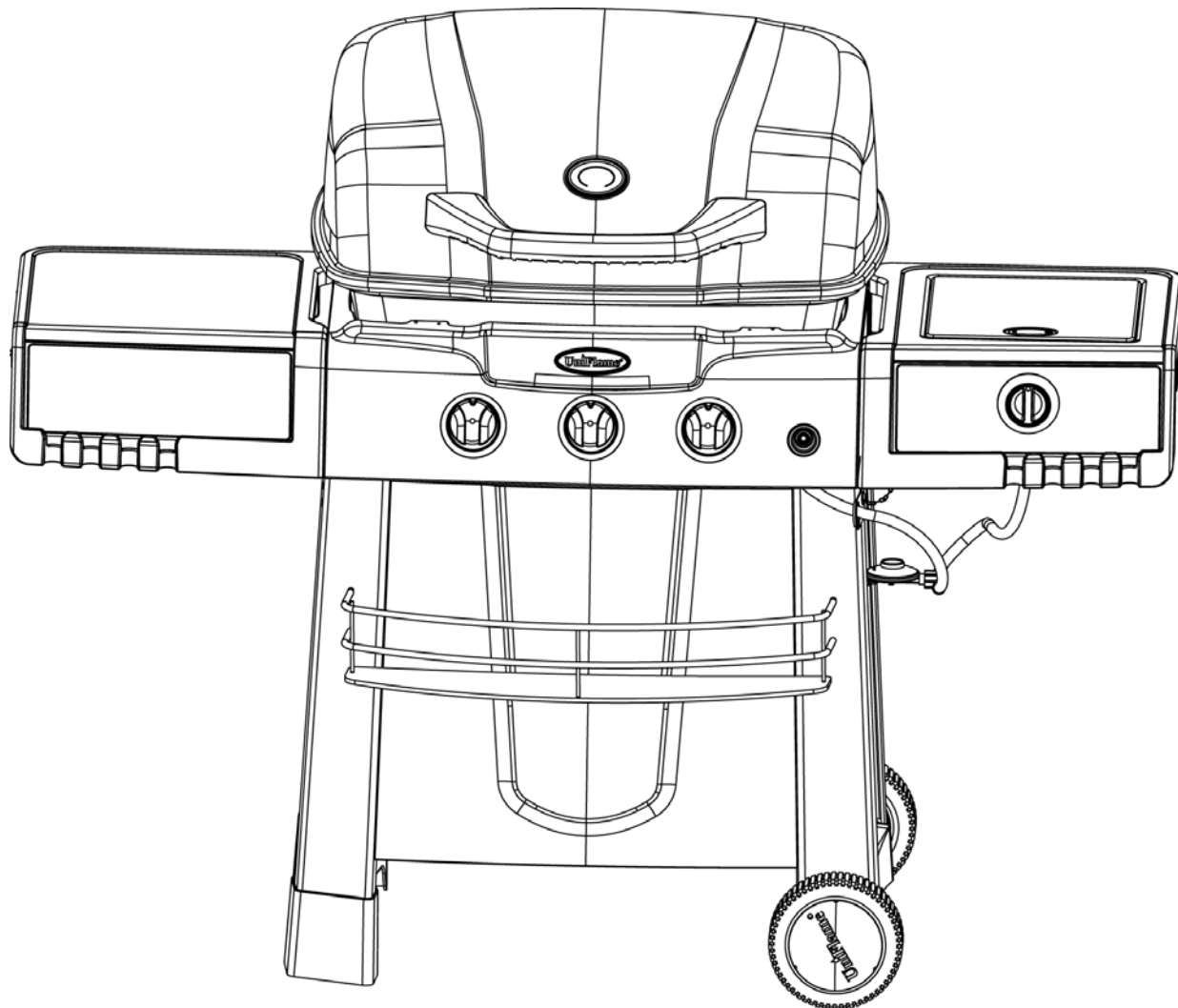


## Outdoor LP Gas Barbecue Grill

Model No. GBC730W



**WARNING**  
**FOR YOUR SAFETY:**  
**For Outdoor Use Only**  
 (outside any enclosure)

**WARNING**  
**FOR YOUR SAFETY:**

- 1. Improper installation, adjustment, alteration, service or maintenance can cause injury or property damage.**
- 2. Read the installation, operation, and maintenance instructions thoroughly before installing or servicing this equipment.**
- 3. Failure to follow these instructions could result in fire or explosion, which could cause property damage, personal injury, or death.**

California Proposition 65:  
 Chemicals known to the State of California to cause cancer, birth defects, or other reproductive harm are created by the combustion of propane.

Save these instructions for future reference. If you are assembling this unit for someone else, give this manual to him or her to read and save for future reference.

### Table of Contents

Important Safeguards . . . . .	Page 2
Exploded View & Hardware . . . . .	3
Assembly Instructions . . . . .	4
Installing LP Gas Tank . . . . .	8
Insert LP Gas Tank . . . . .	8
Secure LP Gas Tank . . . . .	8
Connect LP Gas Tank . . . . .	8
Operating Instructions . . . . .	8
Checking for Leaks . . . . .	8
Operating Main Burners . . . . .	8
Operating Side Burner . . . . .	9
Cleaning and Care . . . . .	9
Product Registration . . . . .	10
Limited Warranty . . . . .	10
Troubleshooting . . . . .	11

The use and installation of this product must conform to local codes. In absence of local codes, use the *National Fuel Gas Code, ANSI Z223.1/NFPA 54, CAN/CGA-B149.1, Natural Gas and Propane Installation Code.*

Manufactured in China for:  
 Blue Rhino Global Sourcing, LLC  
 Winston-Salem, NC USA  
 1.800.762.1142, www.bluerhino.com

© 2006 Blue Rhino Global Sourcing, LLC. All Rights Reserved  
 UniFlame® is a Registered Trademark of Blue Rhino Global Sourcing, LLC.. All Rights Reserved.





**DANGER**

If you smell gas -

1. Shut off gas to appliance.
2. Extinguish any open flame.
3. Open lid.
4. If odor continues, keep away from the appliance immediately call your gas supplier or your fire department.



**WARNING**

**FOR YOUR SAFETY**

1. Do not store or use gasoline or other flammable liquids or vapors in the vicinity of this or any other appliance.
2. An LP cylinder not connected for use shall not be stored in the vicinity of this or any other appliance.

**Safety First**

**DANGERS and Cautions**

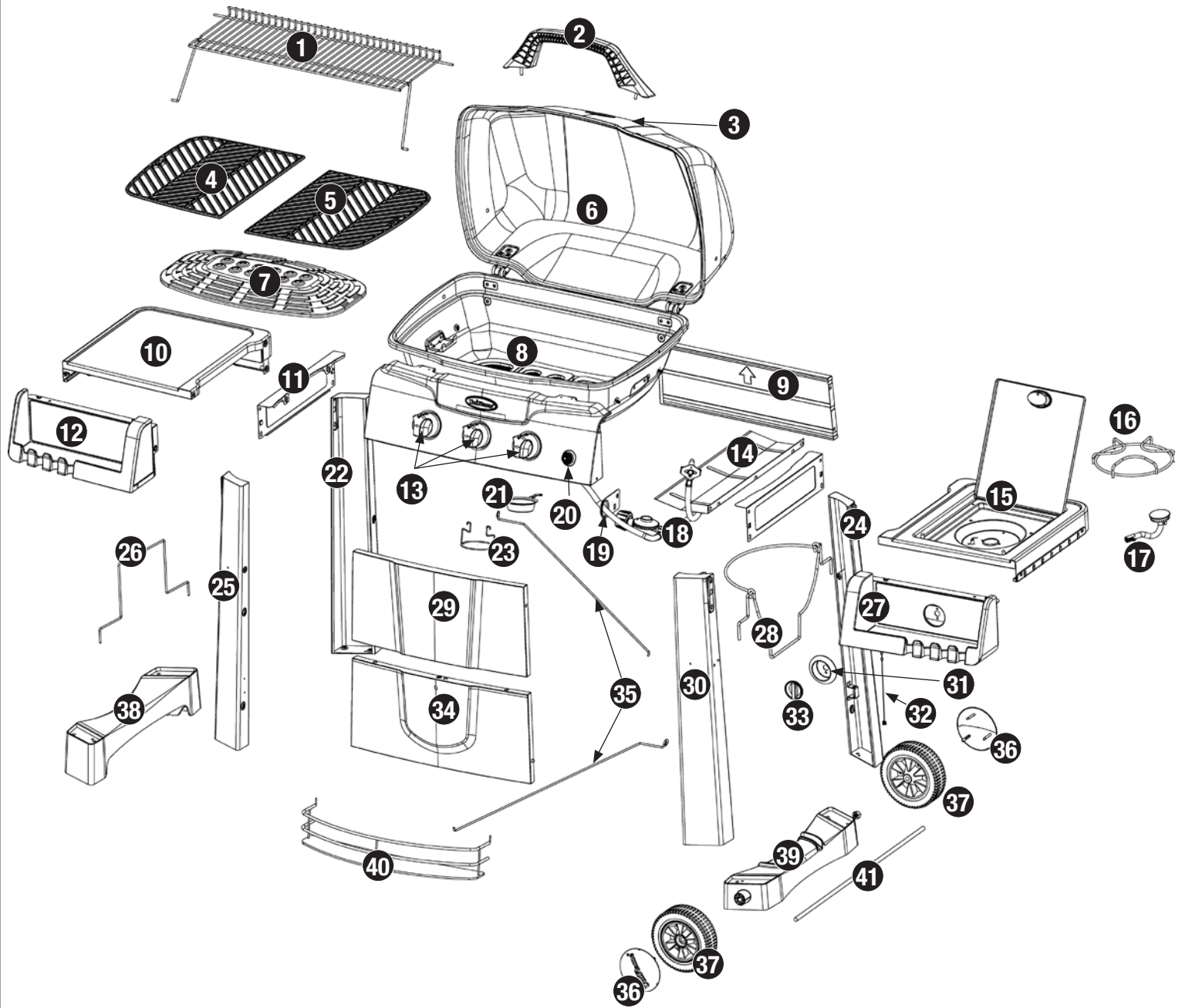
1. This grill is for outdoor use only, and shall not be used in a building, garage, or any other enclosed area.
2. Do NOT operate, light or use this appliance within 8 feet of walls, structures or buildings.
3. This grill is NOT for commercial use.
4. This grill is for use with liquid propane (LP) gas only. The conversion to or attempted use of natural gas in this LP gas grill is dangerous and will void your warranty.
5. LP gas Characteristics:
  - a. LP gas is flammable and hazardous if handled improperly. Become aware of the characteristics before using any LP gas product.
  - b. LP gas is explosive under pressure, heavier than air, and settles and pools in low areas.
  - c. LP gas in its natural state has no odor. For your safety, an odorant is added that smells like rotten cabbage.
  - d. Contact with LP gas can cause freeze burns to skin.
6. LP gas tank needed to operate. Only tanks marked "propane" may be used.
  - a. The LP gas supply tank must be constructed and marked in accordance with the *Specifications for LP gas Cylinders of the U.S. Department of Transportation (DOT) or the National Standard of Canada, CAN/CSA-B339, Cylinders, Spheres and Tubes for the Transportation of Dangerous Goods; and Commission.*
  - b. LP gas tank must be arranged for vapor withdrawal.
  - c. The LP gas tank must have a listed overfilling prevention device (OPD).
  - d. Only use 20-pound cylinders equipped with a cylinder connection device compatible with the connection for outdoor cooking appliances.
  - e. The LP gas tank must have a tank collar to protect the tank valve.
  - f. Never use an LP gas tank with a damaged body, valve, collar, or footing.
  - g. Dented or rusted LP gas tanks may be hazardous and should be checked by your LP gas supplier prior to use.
  - h. The LP gas tank should not be dropped or handled roughly.
  - i. Tanks must be stored outdoors out of the reach of children and must not be stored in a building, garage, or any other enclosed area. Your tank must never be stored where temperatures can reach over 125°F.
  - j. Never keep a filled LP gas tank in a hot car or car trunk. Heat will cause the gas pressure to increase, which may open the relief valve and allow gas to escape.
  - k. Place dust cap on cylinder valve outlet whenever the cylinder is not in use. Only install the type of dust cap on the cylinder valve outlet that is provided with the cylinder valve. Other types of caps or plugs may result in leakage of propane.
  - l. Do not store a spare LP gas tank under or near this appliance.
  - m. Never fill the tank beyond 80 percent full.
  - n. A fire causing, serious injury or damage to property may occur if the above is not followed exactly.
7. Never attempt to attach this grill to the self-contained LP gas system of a camper trailer, motor home, or house.
8. The use of alcohol, or prescription or non-prescription drugs may impair the consumer's ability to properly assemble or safely operate the appliance.
9. Never use charcoal, lighter fluid, lava rocks, gasoline, kerosene, or alcohol with this product.
10. Your grill has been checked at all factory connections for leaks. Recheck all connections, as movement in shipping can loosen connections.
11. Check for leaks even if your unit was assembled for you by someone else.
12. Do not operate if gas leak is present. Gas leaks may cause a fire or explosion.
13. You must follow all leak-checking procedures before operating. To prevent fire or explosion hazard when testing for a leak:
  - a. Always perform leak test before lighting the grill and each time the tank is connected for use.
  - b. No smoking. Do not use or permit sources of ignition in the area while conducting a leak test.
  - c. Conduct the leak test outdoors in a well-ventilated area.
  - d. Do not use matches, lighters, or a flame to check for leaks.
  - e. Do not use grill until any and all leaks are corrected.  
If you are unable to stop a leak, disconnect the LP gas supply. Call a gas appliance serviceman or your local LP gas supplier.
14. Do not store or use gasoline or other flammable liquids or vapors within 25 feet (7.62 m) of this appliance.
15. Do not use in an explosive atmosphere. Keep grill area clear and free from combustible materials, gasoline and other flammable vapors and liquids.
16. Minimum clearance from sides and back of unit to combustible construction, 21 inches from side and 21 inches from back. Do not use this appliance under overhead combustible surfaces.
17. It is essential to keep the grill's valve compartment, burners, and circulating air passages clean. Inspect grill before each use.
18. Do not alter grill in any manner.
19. Do not use the grill unless it is COMPLETELY assembled and all parts are securely fastened and tightened.
20. This grill should be thoroughly cleaned and inspected on a regular basis. Clean and inspect the hose before each use of the appliance. If there is evidence of abrasion, wear, cuts, or leaks, the hose must be replaced prior to the appliance being put into operation.
21. Use only the regulator and hose assembly provided. The replacement regulator and hose assembly shall be that specified by the manufacturer.
22. Use only Blue Rhino Global Sourcing, LLC. factory authorized parts. The use of any part that is not factory authorized can be dangerous. This will also void your warranty.
23. Do not use this appliance without reading "Operating Instructions" in this manual.
24. Do not touch metal parts of grill until it has completely cooled (about 45 min.) to avoid burns, unless you are wearing protective gear (pot holders, gloves, BBQ mittens, etc.).
25. When cooking, fire extinguishing materials shall be readily accessible. In the event of an oil grease fire, do not attempt to extinguish with water. Use type BC dry chemical fire extinguisher or smother with dirt, sand or baking soda.
26. Do not install or use in or on boats or recreational vehicles.
27. Do not use grill in high winds.
28. Never lean over the grill when lighting.
29. Do not leave a lit grill unattended, especially keep children and pets away from grill at all times.
30. Do not attempt to move grill when in use. Allow the grill to cool before moving or storing.
31. Storage of grill indoors is permissible only if the tank is disconnected, removed from the grill and properly stored outdoors.
32. Always open grill lid carefully and slowly as heat and steam trapped within grill can severely burn you.
33. Do not attempt to disconnect the gas regulator from the tank or any gas fitting while the grill is in use.
34. Always place your grill on a hard non-combustible, level surface. An asphalt or blacktop surface may not be acceptable for this purpose.
35. Move gas hoses as far away as possible from hot surfaces and dripping hot grease.
36. Keep all electrical cords away from a hot grill.
37. Do not use grill for indoor cooking or heating. TOXIC fumes can accumulate and cause asphyxiation.
38. After a period of storage and/or nonuse, check for leaks, burner obstructions and inspect for any abrasion, wear, cuts to the hose.
39. Failure to open lid while igniting the grill's burners, or not waiting 5 minutes to allow the gas to clear if the grill does not light, may result in an explosive flame-up.
40. If grill is not in use, the gas must be turned off at the supply tank.
41. Never operate grill without heat plates installed.
42. Always use a meat thermometer to ensure food is cooked to a safe temperature.
43. Please use protective gloves when assembling this product.
44. Do not force parts together as this can result in personal injury or damage to the product.
45. Deaths, serious injury or damage to property may occur if the above is not followed exactly.

Contact 1.800.762.1142 for assistance. Do not return to place of purchase.

## Parts List

- 1 Warming Rack
- 2 Handle
- 3 Temperature Gauge
- 4 Left Cooking Grid
- 5 Right Cooking Grid
- 6 Lid
- 7 Heat Plate
- 8 Grills Body Assembly
- 9 Back Panel
- 10 Side Shelf
- 11 Top Frame Support (2)
- 12 Left Condiment Holder
- 13 Control Knob (3)
- 14 LP Gas Tank Shield
- 15 Side Burner Assembly
- 16 Side Burner Grid
- 17 Side Burner
- 18 Regulator/Hose Assembly
- 19 QCC Clip
- 20 Ignitor Button
- 21 Grease Cup
- 22 Rear Left Leg
- 23 Grease Cup Support
- 24 Rear Right Leg
- 25 Front Left Leg
- 26 Cart Frame Tank Guard
- 27 Right Condiment Holder
- 28 LP Gas Tank Retainer Wire
- 29 Top Front Panel
- 30 Front Right Leg
- 31 Side Burner Control Knob Support
- 32 Lighting Hook
- 33 Side Burner Control Knob
- 34 Bottom Front Panel
- 35 Tank Guard (2)
- 36 Hub Cap (2)
- 37 Wheel (2)
- 38 Bottom Left Frame Support
- 39 Bottom Right Frame Support
- 40 Front Condiment Basket
- 41 Axle

## Exploded View

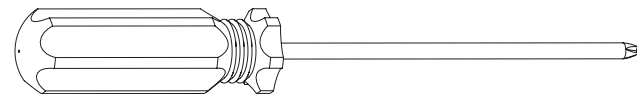


## Hardware

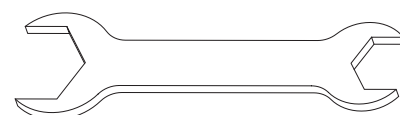
A	Screw	M4x10 Zinc Plated Phillips Truss Head	3 pcs
B	Screw	M5x10 Zinc Plated Phillips Truss Head	1 pc
C	Screw	M6x16 Zinc Plated Phillips Truss Head	2 pcs
D	Screw	M6x16 Zinc Plated Phillips Truss Head	36 pcs
E	Nut	M5 Zinc Plated	4 pcs
F	Nut	M10 Zinc Plated	2 pcs
G	Wing Nut	M6 Zinc Plated	7 pcs
H	Washer	ø4.3 Zinc Plated	2 pcs
I	Washer	ø6.4 Zinc Plated	40 pcs
J	Lock Washer	ø4.3 Zinc Plated	2 pcs
K	Lock Washer	ø6.4 Zinc Plated	34 pcs
L	Rubber Spacer	ø10.5 x ø17.5 x 6	2 pcs
M	AA Battery		1 pc

## Tools Required for Assembly (Included)

#2 Phillips Head Screwdriver



M5 - M10 Wrench



## Assembly Instructions

**DO NOT RETURN PRODUCT TO STORE.**

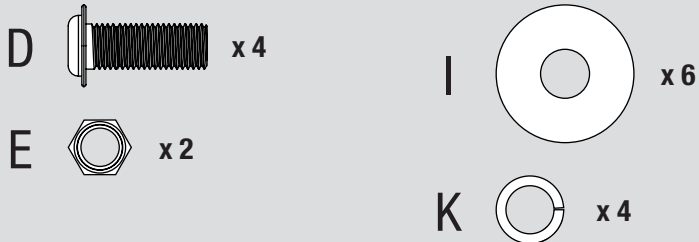
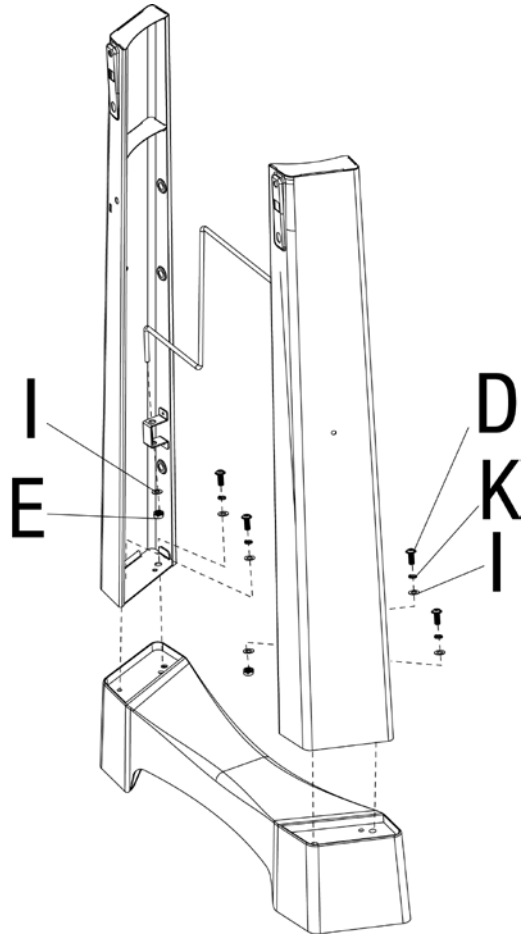
For assistance call **1.800.762.1142** toll free. Please have your owner's manual and serial number available for reference.

For Easiest Assembly:

- To avoid losing any small components or hardware, assemble your product on a hard level surface that does not have cracks or openings.

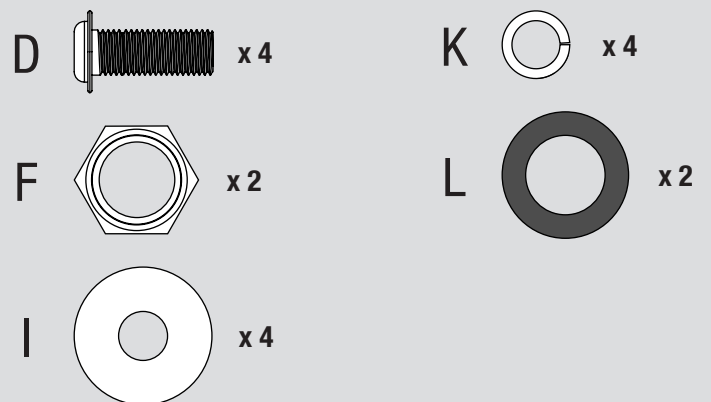
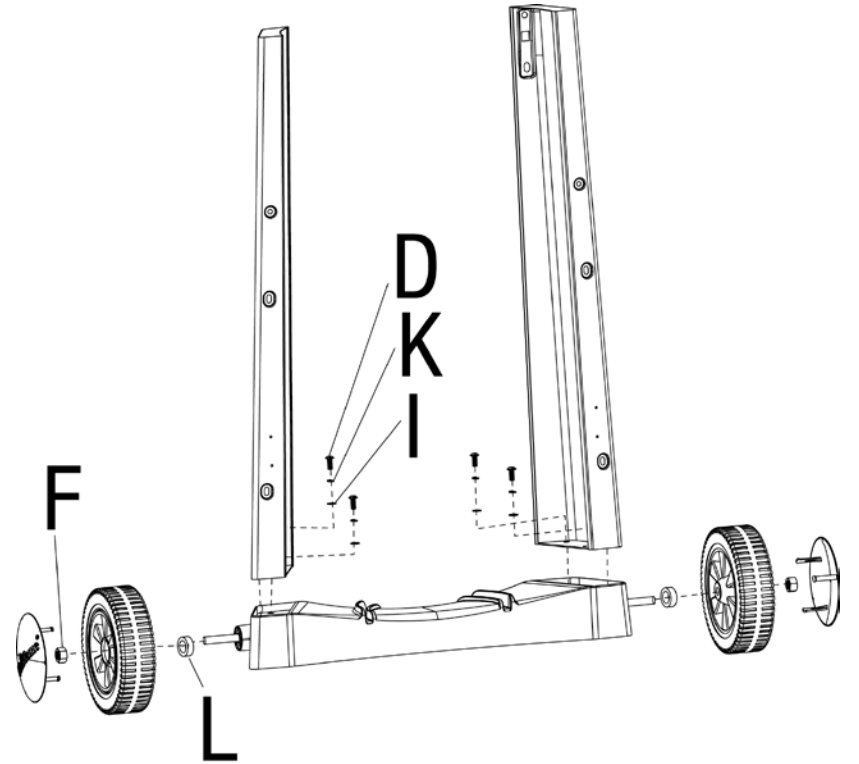
# 1

### Assemble Left Cart Frame



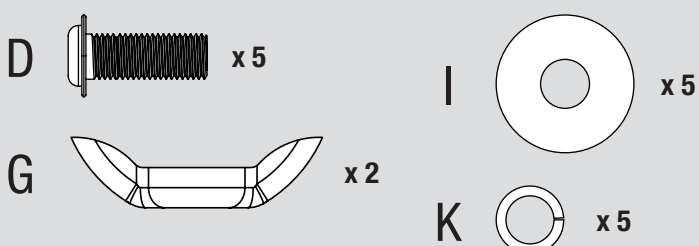
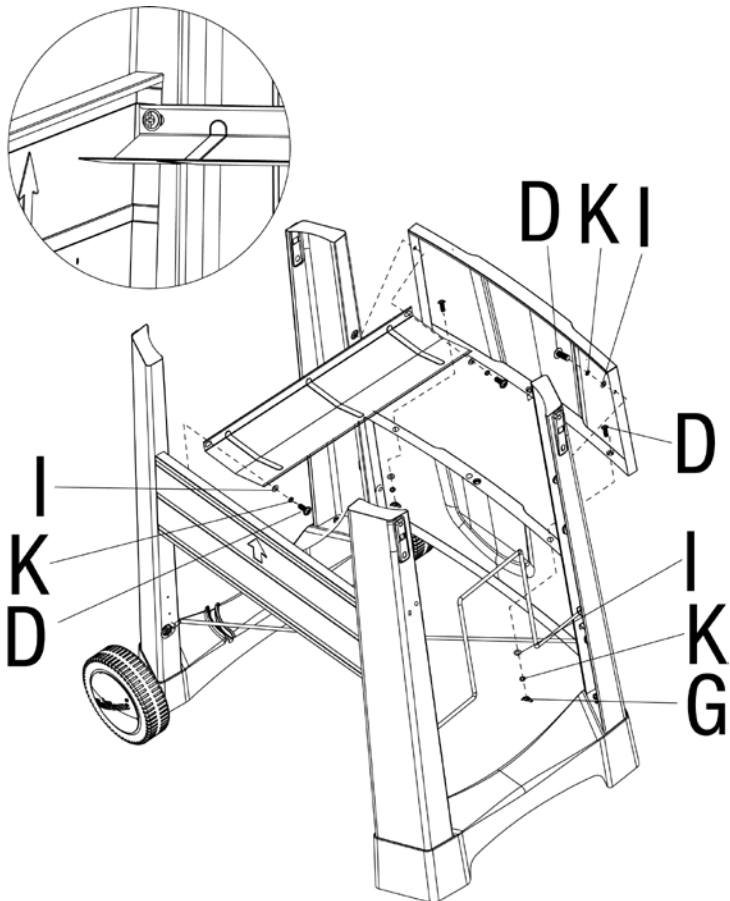
# 2

### Assemble Right Cart Frame



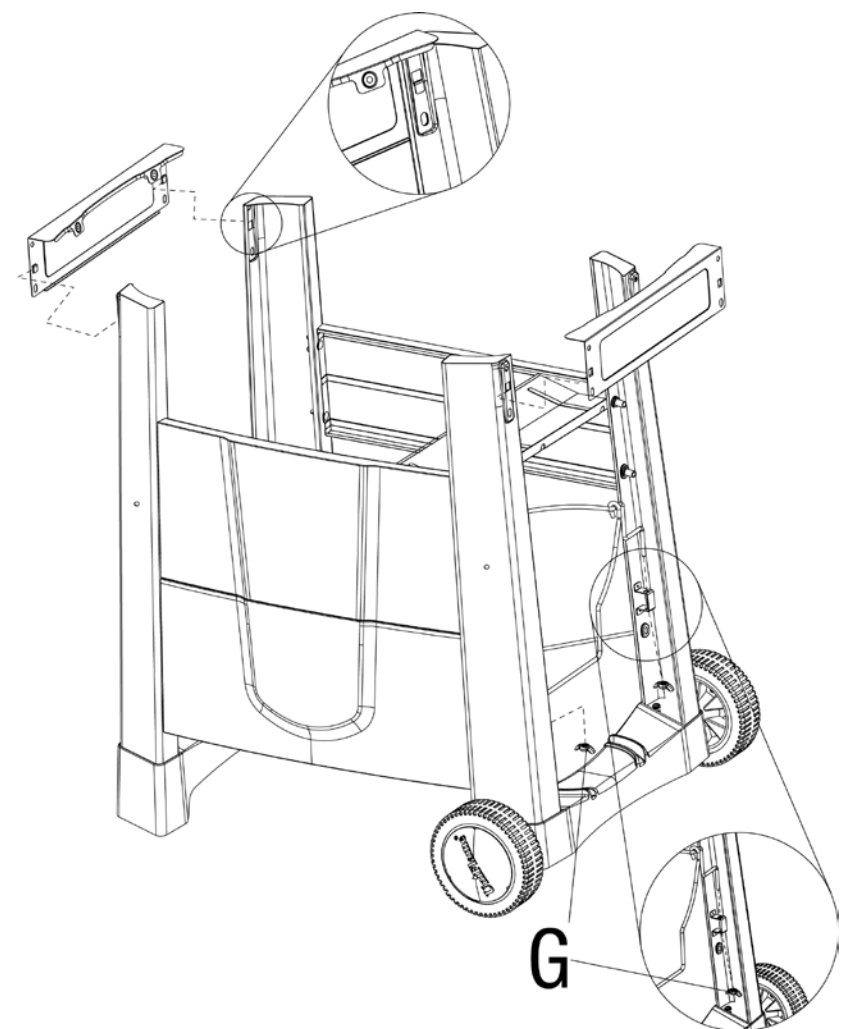
# 5

### Attach LP Gas Tank Shield, and Top Front Panel



# 6

### Attach Top Left and Right Frame Supports and Attach LP Gas Tank Retainer Wire

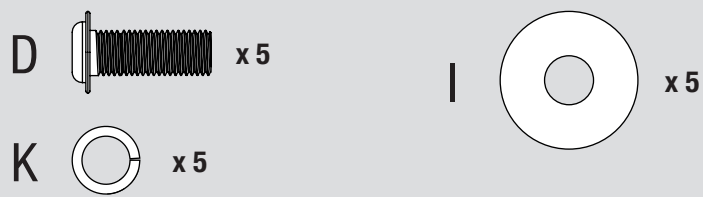
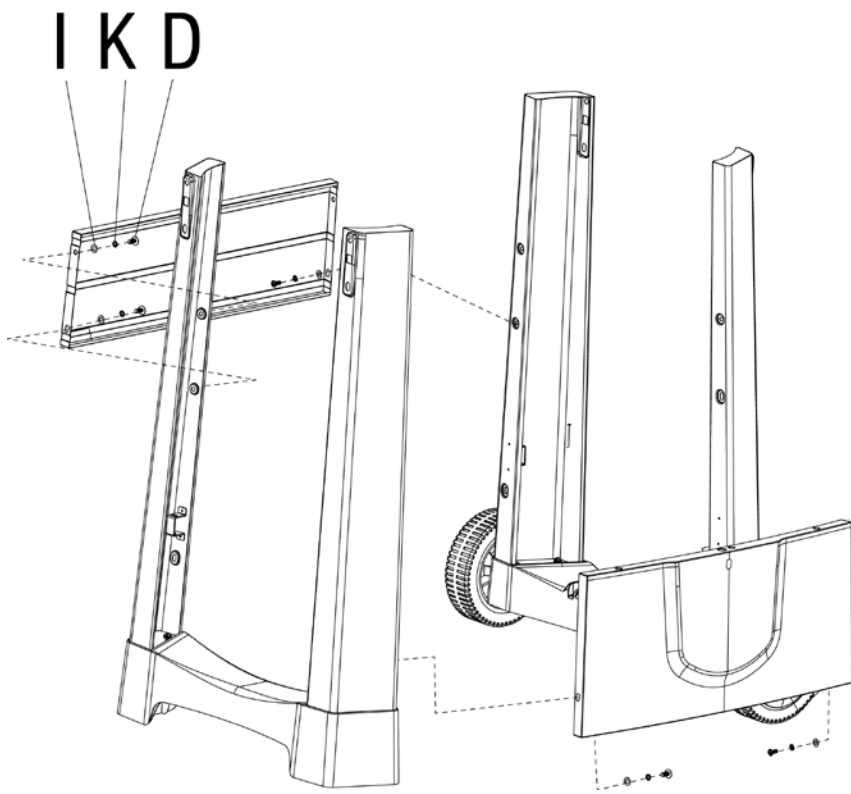


Contact 1.800.762.1142 for assistance. Do not return to place of purchase.

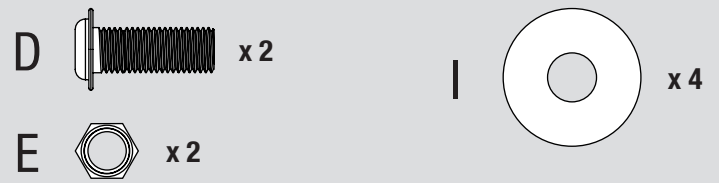
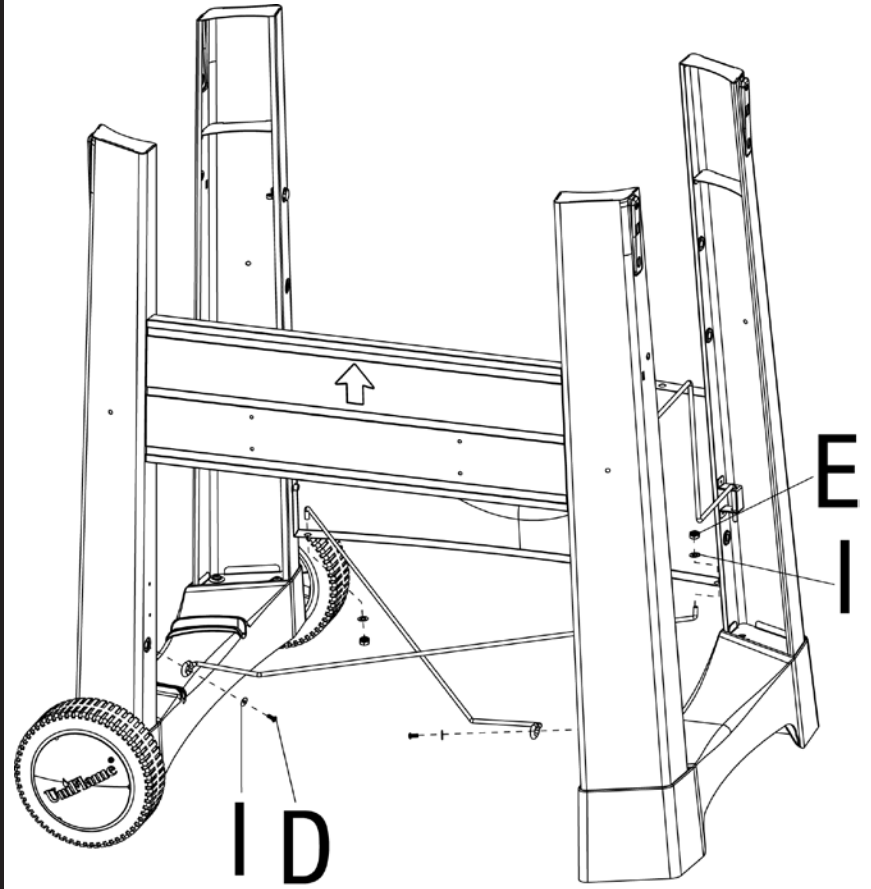
- Clear an area large enough to layout all components and hardware.
- When applicable, tighten all hardware connections by hand first. Once the step is completed, go back and fully tighten all hardware.

- Follow all steps in order to properly assemble your product.

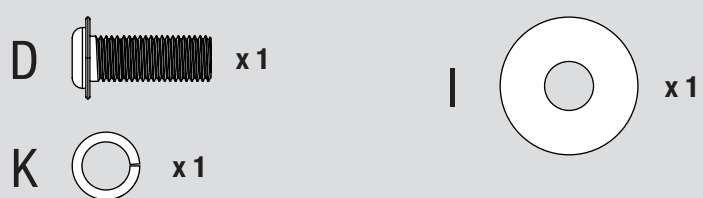
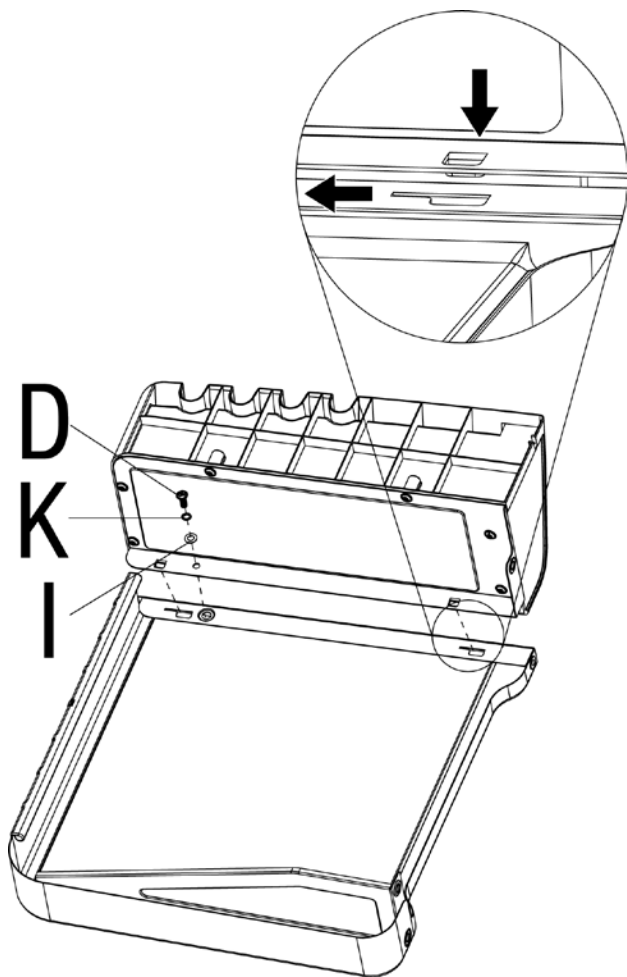
### 3 Attach Back Panel and Bottom Front Panel



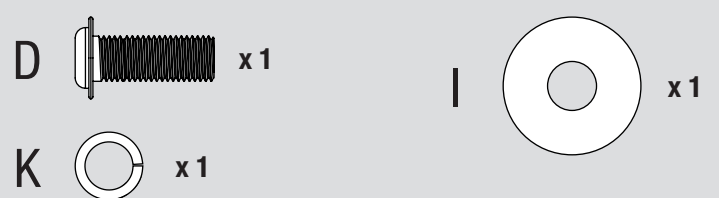
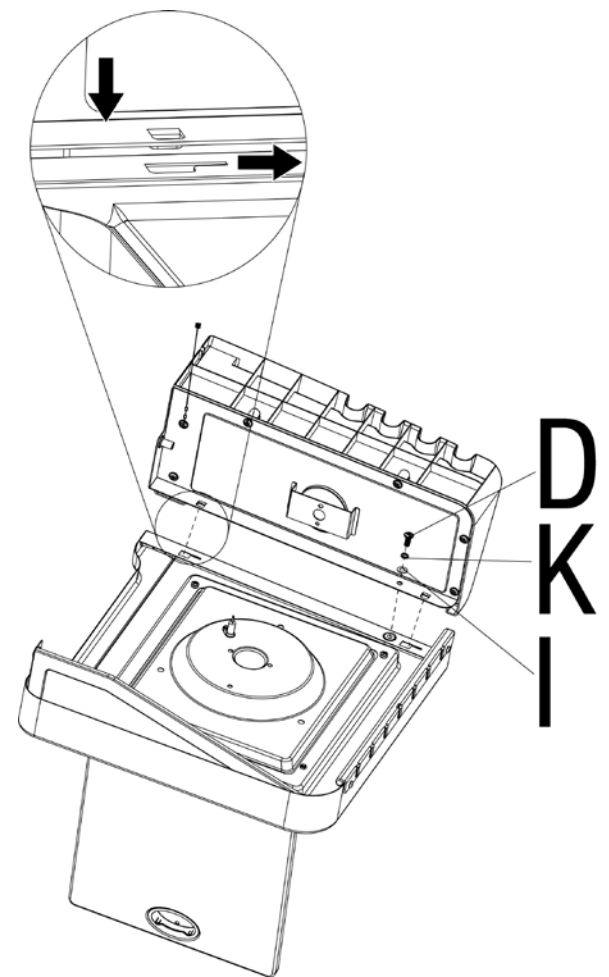
### 4 Attach Tank Guards



### 7 Assemble Left Side Shelf



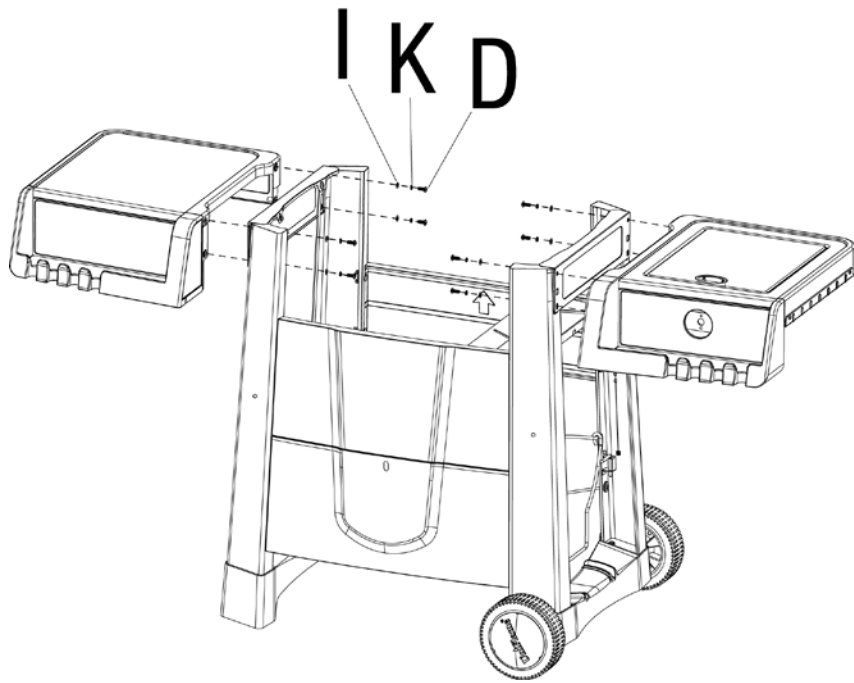
### 8 Assemble Side Burner

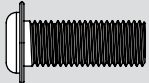
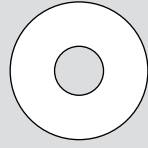



**Assembly Instructions (continued)**

**9**

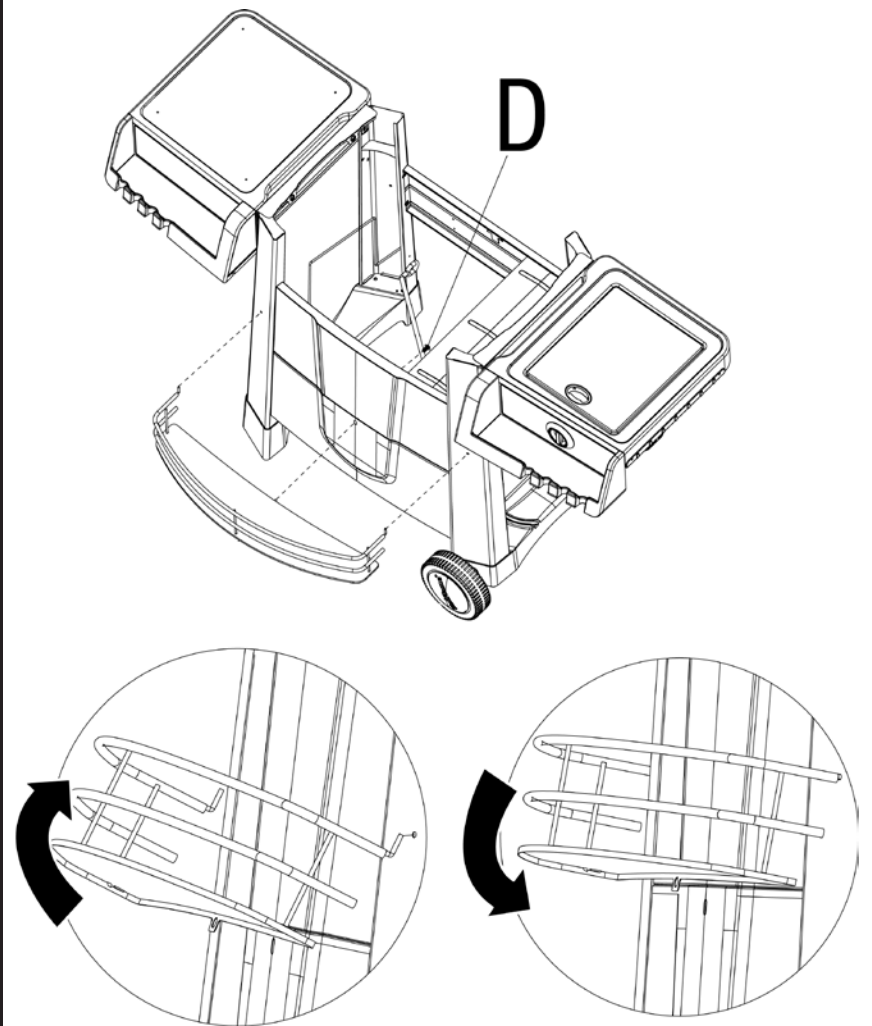
**Attach Side Shelves**

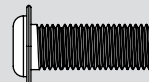


- D  x8
- I  x8
- K  x8

**10**

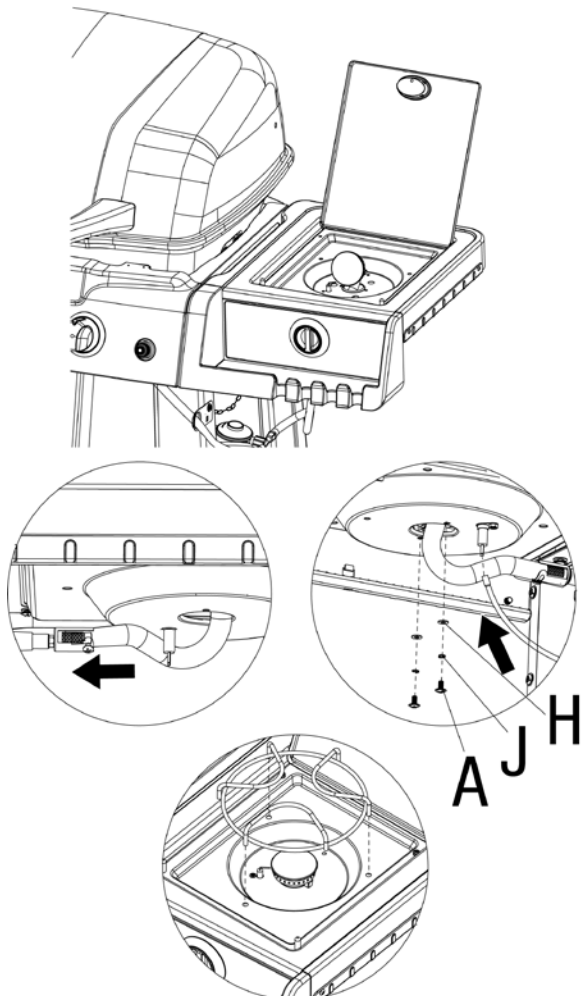
**Attach Front Condiment Basket**

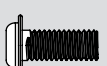




- D  x1

**13**

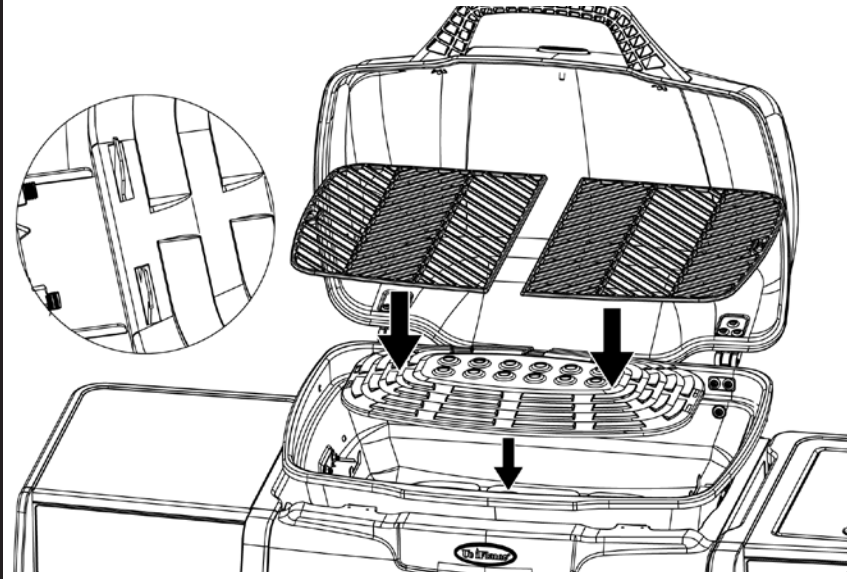
**Attach Side Burner, Side Burner Grid**



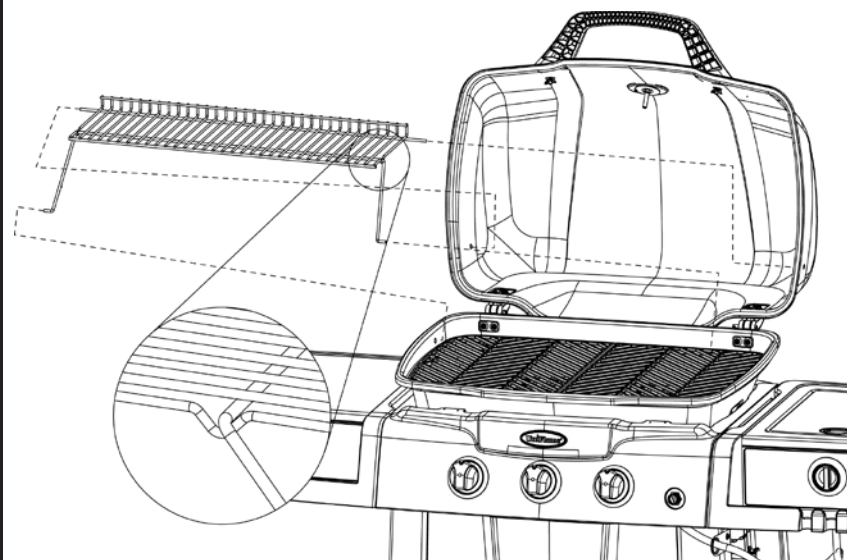
- A  x2
- J  x2
- H  x2

**14**

**Insert Heat Plate and Cooking Grids**



**Insert Warming Rack**


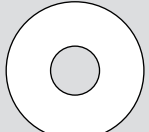



Contact 1.800.762.1142 for assistance. Do not return to place of purchase.

# 11

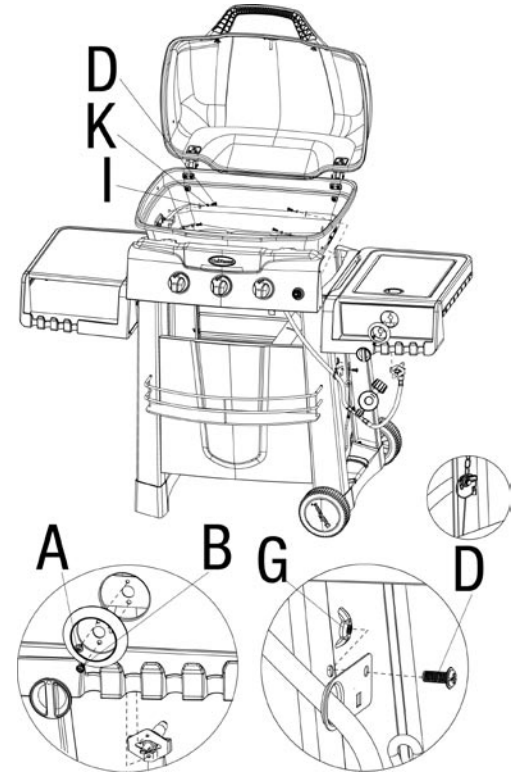
## Attach Handle

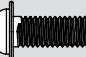

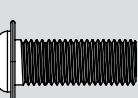
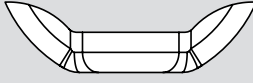
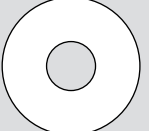



- G  x2
- I  x2
- K  x2

# 12

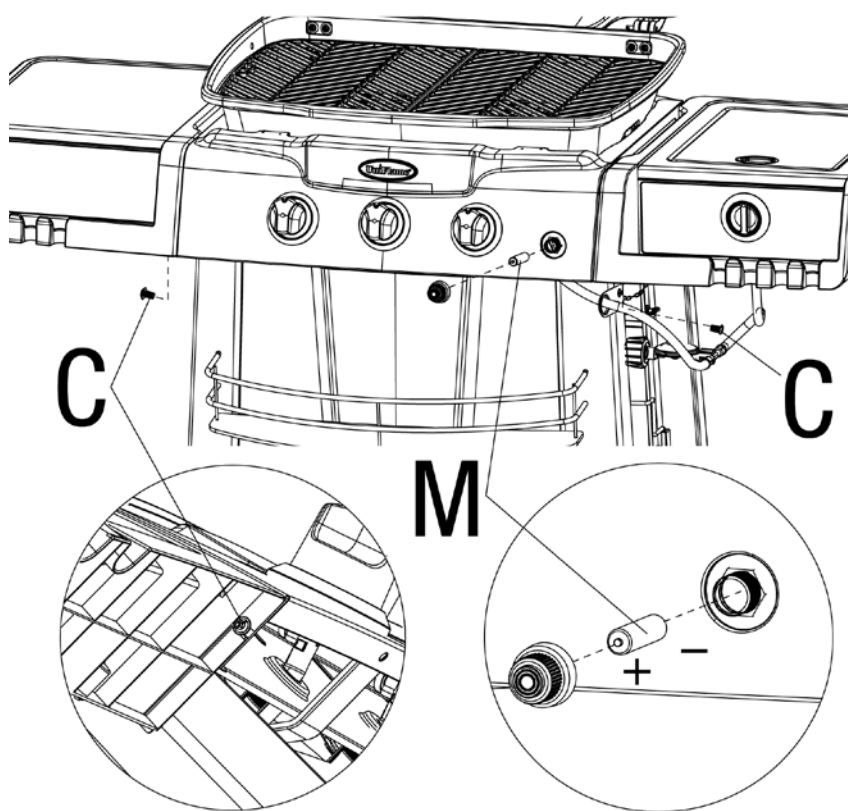
## Attach Grill Body Assembly, Side Burner Control Knob Support, Side Burner Control Knob, QCC Clip

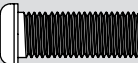



- A  x1
- B  x1
- D  x5
- G  x1
- I  x4
- K  x4

# 15

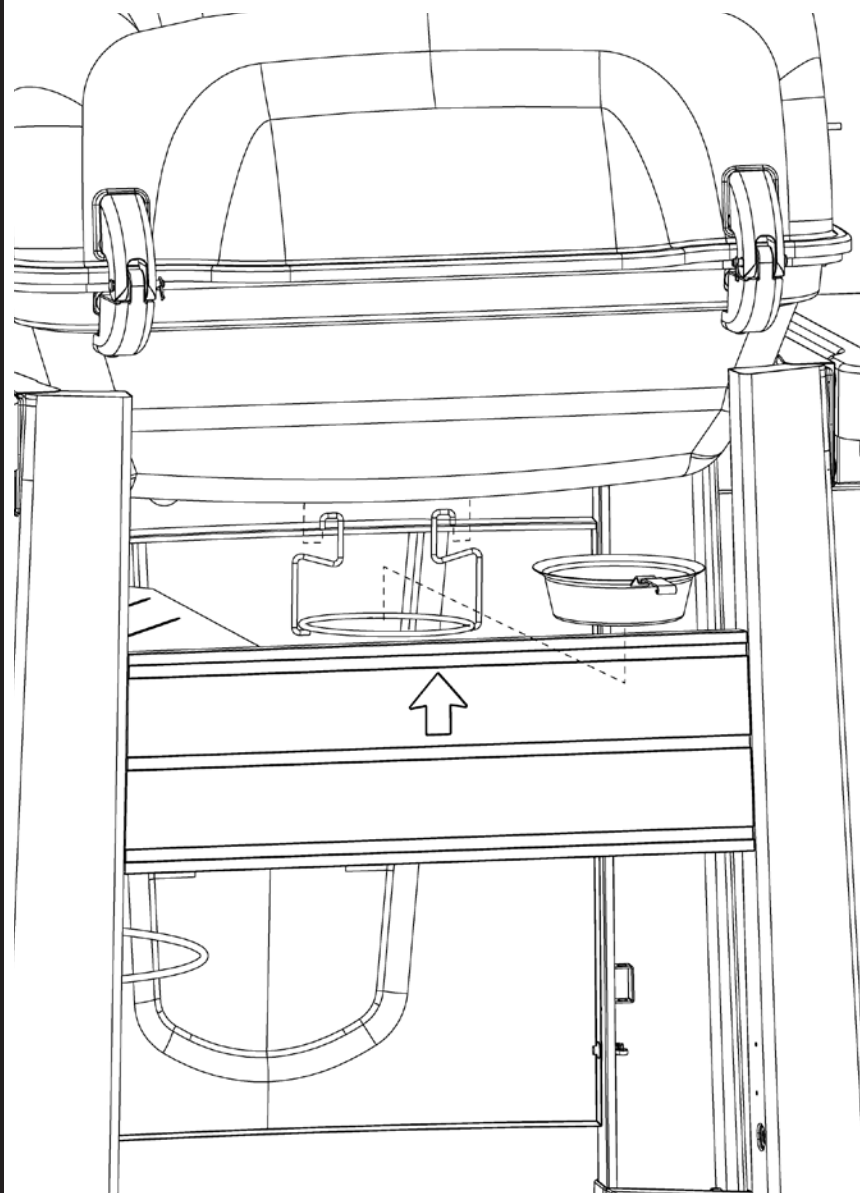
## Secure Control Panel and Insert Battery



- C  x2
- M  x1

# 16

## Attach Grease Cup Support and Grease Cup



### Installing LP Gas Tank

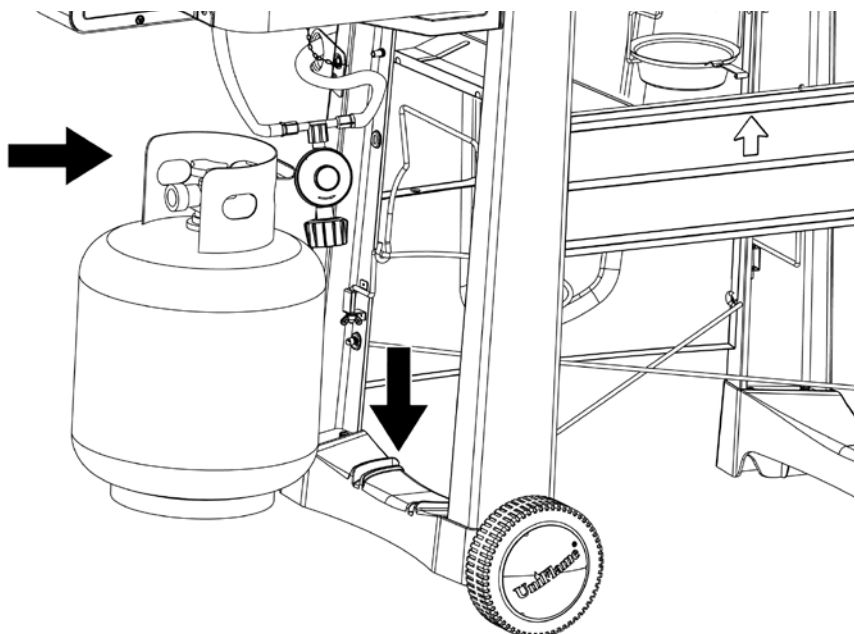
To operate you will need (1) precision-filled standard grill LP gas tank (20#) with external valve threads.

*Note:* An empty standard grill LP gas tank weighs approximately 18 lbs. A precision-filled standard grill LP gas tank should weigh no more than 38 lbs.



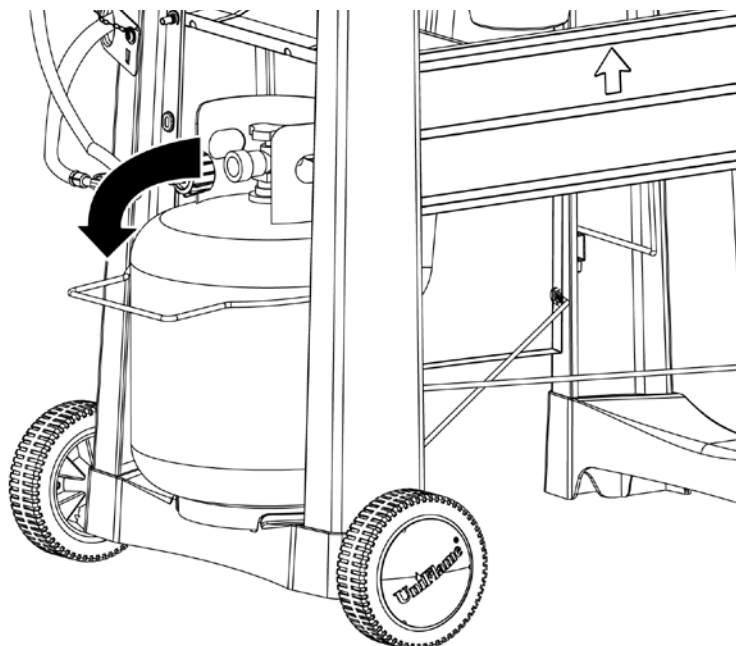
### Insert LP Gas Tank

Place precision filled LP gas tank upright into hole in grill body so it is arranged for vapor withdrawal.



### Secure LP Gas Tank

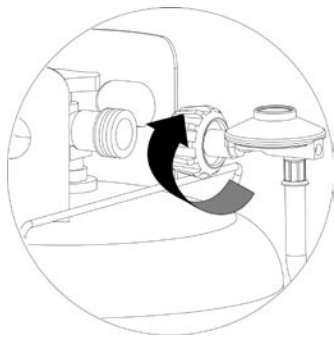
Secure tank by sliding tank retainer wire over shoulder of LP gas tank.



### Connect LP Gas Tank

Before connecting, be sure that there is no debris caught in the head of the LP gas tank, head of the regulator valve or in the head of the burner and burner ports.

Connect gas line to tank by turning knob clockwise until it stops.



### Disconnect LP Gas Tank

Before disconnecting make sure the LP gas tank valve OFF.

Disconnect gas line to tank by turning knob counterclockwise until it is loose.



**Need a tank of gas?** Try tank exchange service. It's easy, fast, safe, and available at tens of thousands of conveniently located retail outlets nationwide. You can purchase a new full tank or exchange your empty for a precision filled one.

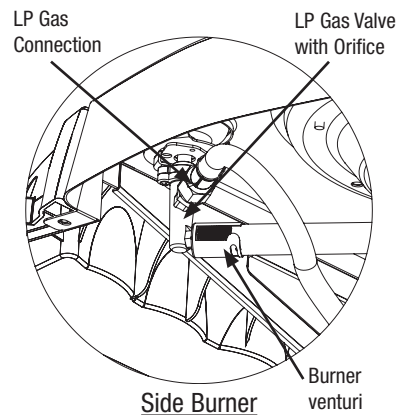
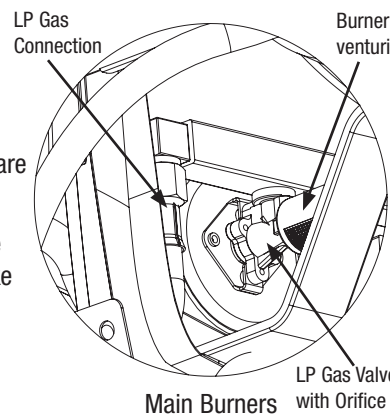
### Operating Instructions

#### Checking for Leaks

##### Burner Connections

Make sure the regulator valve and hose connections are securely fastened to the burner and the tank.

If your unit was assembled for you, visually check the connection between the burner pipe and orifice. Make sure the burner pipe fits over the orifice.



**WARNING**  
**FOR YOUR SAFETY:**  
 Failure to inspect this connection or follow these instructions could cause a fire or an explosion which can cause death, serious bodily injury, or damage to property.

Please refer to diagram for proper installation.

If the burner pipe does not rest flush to the orifice, please contact 1.800.762.1142 for assistance.

##### Tank/Gas Line Connection

Make 2-3 oz. of leak solution by mixing one part liquid dishwashing soap with three parts water.

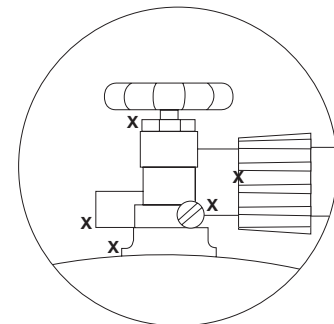
Make sure control knobs are off.

Turn LP gas tank ON at valve.

Spoon leak check solution at all "x" locations

If any bubbles appear turn LP gas tank OFF, reconnect and re-test. If you continue to see bubbles after several attempts, disconnect LP gas source and contact 1.800.762.1142 for assistance.

If no bubbles appear after one minute turn tank OFF, wipe away solution and proceed.

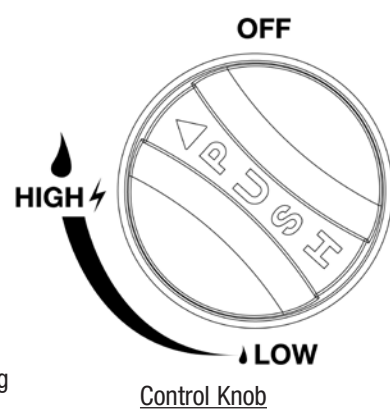


LP Gas Tank Valve

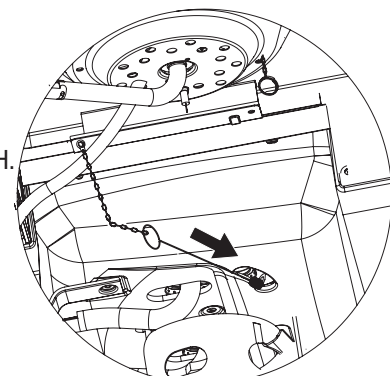
#### Operating Main Burners

##### Lighting

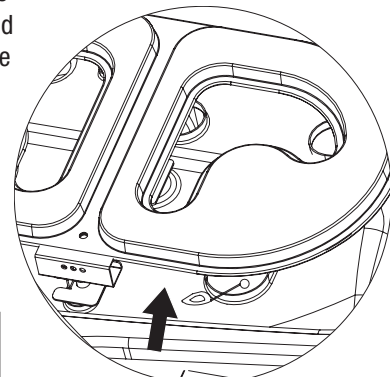
1. Open lid. Attempting to light the burner with the lid closed may cause an explosion!
2. Make sure there are no obstructions of airflow to the gas unit. Spiders and insects can nest within and clog the burner / venturi tube at the orifice. A clogged burner tube can lead to a fire beneath the appliance.
3. All control knobs must be in the OFF position.
4. Turn on gas at LP gas tank.
5. Push and turn control knob counterclockwise to HIGH.
6. Press the electronic igniter button and hold for 5 seconds to light burner.
7. If ignition does not occur in 5 seconds, turn burner control knob OFF, wait 5 minutes, and repeat lighting procedure.
8. If igniter does not light burner, use a lit match secured with the lighting rod provided to light burners manually. Access the burners through the cooking grid and heat plates. Position the lit match near side of the burner.
9. After lighting, observe the burner flame, make sure all burner ports are lit and flame height matches illustration.



Control Knob

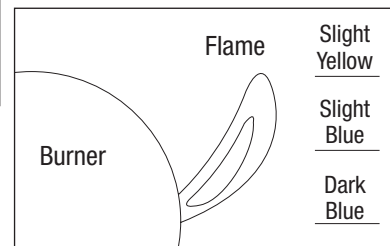


Main Burner Lighting Rod Insert



Main Burner Lighting Rod Placement

**Caution**  
 If burner flame goes out during operation, immediately turn the gas "OFF" and open lid to let the gas clear for about 5 minutes before re-lighting.



Main burner proper flame height.



Contact 1.800.762.1142 for assistance. Do not return to place of purchase.

### Turning Off

1. Turn gas off at LP tank.
2. Turn all control knobs clockwise to the OFF position.

### First Use

1. Make sure all labels, packaging and protective films have been removed from the grill.
2. Remove manufacturing oils before cooking on this grill for the first time, by operating the grill for at least 15 minutes on "HIGH" with the lid closed. This will "heat clean" the internal parts and dissipate odors.

### Direct Cooking

Cooking directly over hot burners. Ideal for searing in juices and food requiring less than 25 minutes of grilling time, such as steaks, hamburgers, hot dogs, chicken parts, vegetables and fruit.

1. Open lid and ignite the desired amount of burners per lighting instructions in owner's manual.
2. Close lid and preheat grill on "HIGH".
3. Wear protective gloves and use long handle tongs to place food onto cooking grids above the lit burners.
4. Adjust controls to desired temperature.
5. With lid open or closed, cook until desired internal food temperatures are achieved.
6. Turn grill OFF by first closing the valve on the propane tank. Burn off remaining gas in lines by waiting 15 seconds then turn all burner controls to the OFF position. A "poof" sound is normal as the last of the LP gas is burned.

### Indirect Cooking

Not cooking directly over hot burners. Ideal for slow cooking and foods requiring more than 25 minutes such as most roasts, loins, chops, whole chickens, turkey, fish and baked goods.

1. Open lid and ignite the desired amount of burners per lighting instructions in owner's manual.
2. Close lid and preheat grill on "HIGH".
3. Wear protective gloves and use long handle tongs to place food onto cooking grids above the un-lit burners.
4. Adjust controls to desired temperature.
5. With lid closed, cook until desired internal food temperatures are achieved.
6. Turn grill OFF by first closing the valve on the propane tank. Burn off remaining gas in lines by waiting 15 seconds then turn all burner controls to the OFF position. A "poof" sound is normal as the last of the LP gas is burned.

For more tips on indirect cooking please see "Tips for Better Cookouts and Longer Grill Life"

### Tips for Better Cookouts and Longer Grill Life

1. For food safety tips visit: [http://www.fsis.usda.gov/Fact\\_Sheets/Barbecue\\_Food\\_Safety/](http://www.fsis.usda.gov/Fact_Sheets/Barbecue_Food_Safety/)
2. Use the upper cooking grid (warming rack) for keeping cooked food warm, toasting breads or cooking delicate foods in aluminum foil pouches.
3. Use the side burner of this appliance like a normal kitchen range for boiling, sautéing or frying.
4. To keep food from sticking to the grids, spray or coat with cooking oil before lighting.
5. To reduce flare-up keep grill clean, use lean cuts of meat (or trim fat) and avoid cooking on very high temperatures.
6. Place delicate foods like fish and vegetables in aluminum foil pouches and indirect cook or place on upper cooking levels (warming rack).
7. To avoid losing natural juices, use long handled tongs or spatulas instead of forks and turn foods over just once during cooking.
8. When direct cooking adjust your burners to different levels so foods can be prepared to different internal temperatures in the same time frame.
9. When in-direct cooking roasts and larger cuts of meat, place meat onto a roasting rack inside a heavy gauge metal pan. Place pan over the un-lit burners.
10. Try water pans to reduce flare-ups and cook juicer meats. Before starting grill remove cooking grids and place a heavy duty shallow pan directly on heat plates. Fill half way with water, fruit juices or other flavored liquids. Replace cooking grids and position food over the loaded pan.
11. Enhance food flavors by using wood chips in smoker boxes or aluminum foil pouches. Follow the wood manufacturer's instructions.
12. Rotisseries, grill baskets, vertical poultry holders and other accessories can enhance your experiences, reduce cooking times and aid in clean-up.
13. Clean cooking grids and racks after every use with a quality grill brush designed for your grid material. Wear protective gloves and gently remove the build-up while grids are hot.
14. After every use, allow grill to cool. Then protect clean cooking grids with a light coat of cooking oil, empty grease pan, wipe outside surfaces with a suitable kitchen cleaner and protect surfaces with a quality cover that is properly fits your grill.
15. Visit websites like [www.bluerhino.com](http://www.bluerhino.com), watch barbecue themed TV shows or purchase related barbecue cookbooks to learn more interesting tips like – *A gas grill is ideal for reheating leftover pizza. Set burners on low and place pizza slices directly on preheated cooking grid. Close lid and cook until cheese starts to bubble.*

### Operating Side Burner

NOTE: Side burner can be used while main burners are operating.  
Never use side burner as a grill.

### Lighting

1. Open lid. Attempting to light the burner with the lid closed may cause an explosion!
2. Make sure there are no obstructions of airflow to the gas unit. Spiders and insects can nest within and clog the burner / venturi tube at the orifice. A clogged burner tube can lead to a fire beneath the appliance.
3. Control knob must be in the OFF position.
4. Turn on gas at LP gas tank.
5. Push and turn control knob counterclockwise to HIGH.
6. Press the electronic igniter button and hold for 5 seconds to light burner.
7. If ignition does not occur in 5 seconds, turn burner control knob OFF, wait 5 minutes, and repeat lighting procedure.
8. If igniter does not light burner, use a lit match secured with the lighting rod provided to light burners manually. Position the lit match near side of the burner.

Important: Always use the lighting rod provided when lighting burners with a match.

9. After lighting, please observe the burner flame, make sure all burner ports are lit and flame height matches illustration.

CAUTION: If burner flame goes out during operation, immediately turn the gas "OFF" and open lid to let the gas clear for about 5 minutes before re-lighting.

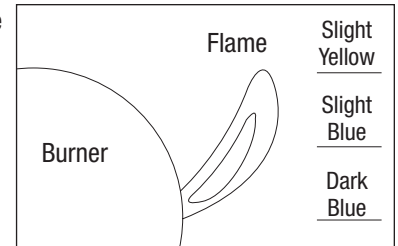
### Turning Off

1. Turn gas off at LP gas tank.
2. Turn control knob clockwise to the OFF position.

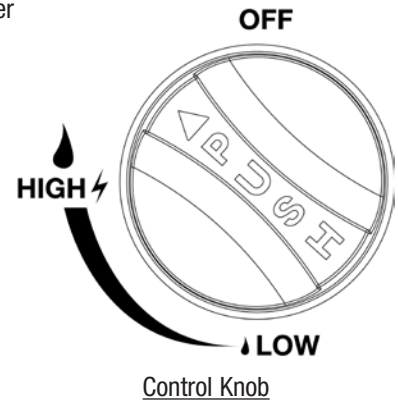
Note: A "poof" sound is normal as the last of the LP gas is burned.

### Cooking

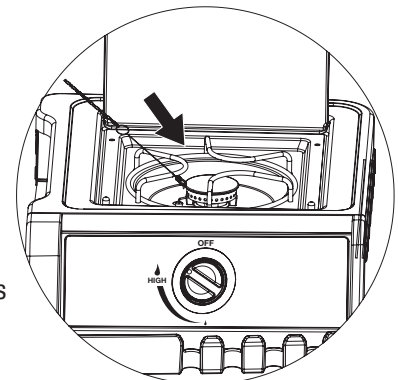
1. Light burner.
2. Set burner to desired temperature
3. Place pan on center of grid.
4. Cook and adjust temperature as needed.



Side burner proper flame height.



Control Knob



Side Burner Lighting Hook Placement

## Cleaning and Care

### Caution

1. All cleaning and maintenance should be done when grill is cool and with the fuel supply disconnected.
2. DO NOT clean any grill part in a self cleaning oven. The extreme heat will damage the finish.

### Notices

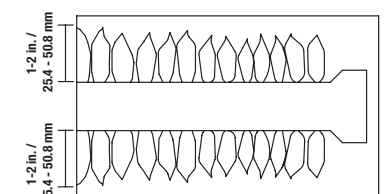
1. This grill should be thoroughly cleaned and inspected on a regular basis.
2. Abrasive cleaners will damage this product.
3. Never use oven cleaner to clean any part of grill.
4. Do not clean any grill part in a self cleaning oven. The extreme heat will damage the finish.

### Before Each Use:

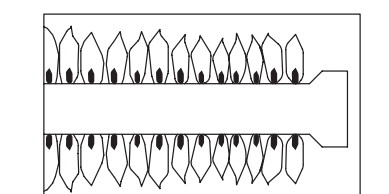
1. Keep the grill area clean and free from any combustible materials, gasoline, and other flammable vapors and liquids.
2. Do not obstruct the flow of the combustion of LP and the ventilation air.

### Burner Flame Conditions

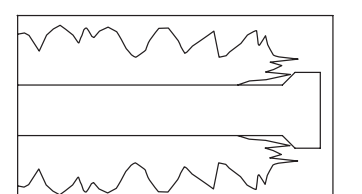
Use this chart check to see if your burners need to be cleaned.



Normal: Soft blue flames with yellow tips between 1 in. - 2 in. high.



Needs Cleaning: Noisy with hard blue flames.



Has to be cleaned: Wavy with yellow flames.



## Cleaning and Care (continued)

3. Keep the ventilation opening(s) of the LP gas tank area free and clear from debris.
4. Visually check the burner flames, to make sure your grill is working properly.
5. See cleaning instructions below for proper cleaning instructions.
6. Check and clean the burner/venturi tubes for insects and insect nests. A clogged tube can lead to a fire beneath the grill.

### Cleaning Surfaces

1. Wipe surfaces clean with mild dishwashing detergent or baking soda.
2. For stubborn surfaces use a citrus based degreaser and a nylon scrubbing brush.
3. Rinse clean with water.

### Cleaning Main Burner

1. Turn gas off at the control knobs and LP gas tank.
2. Remove cooking grid and heat plates.
3. Remove burner by removing the fasteners securing the burner to the grill bottom.
4. Lift burner up and away from gas valve orifice.
5. Disconnect wire from spark electrode.
6. Clean inlet (venturi) of burner with small bottle brush or compressed air.
7. Remove all food residue and dirt on burner surface.
8. Clean any clogged ports with a stiff wire (such as an opened paper clip)
9. Inspect burner for any damage (cracks or holes). If damage is found, replace with new burner.
10. Reinstall burner, check to insure that gas valve orifice is correctly positioned inside burner inlet (venturi). Also check position of spark electrode.
11. Replace heat plate and cooking grid.
12. Perform leak test.

### Cleaning Side Burner

1. Turn gas off at the control knobs and LP gas tank.
2. Remove side burner grid.
3. Remove burner by removing the screws securing the burner to the side shelf.
4. Lift burner up and away from gas valve orifice.
5. Clean inlet (venturi) of burner with small bottle brush or compressed air.
6. Remove all food residue and dirt on burner surface.
7. Clean any clogged ports with a stiff wire (such as an opened paper clip)
8. Inspect burner for any damage (cracks or holes). If damage is found, replace with new burner.
9. Reinstall burner, check to insure that gas valve orifice is correctly positioned inside burner inlet (venturi). Also check position of spark electrode.
10. Replace cooking grid.
11. Perform leak test.

## Product Registration

For faster warranty service, please register your product immediately at [www.bluerhino.com](http://www.bluerhino.com) or call 1.800.762.1142.

## Limited Warranty

Blue Rhino Global Sourcing, LLC ("Vendor") warrants to the original retail purchaser of this product, and to no other person, that if this product is assembled and operated in accordance with the printed instructions accompanying it, then for a period of one (1) year from the date of purchase, all parts in such product shall be free from defects in material and workmanship. Vendor may require reasonable proof of your date of purchase. Therefore, you should retain your sales slip or invoice. This Limited Warranty shall be limited to the repair or replacement of parts, which prove defective under normal use and service and which Vendor shall determine in its reasonable discretion upon examination to be defective. Before returning any parts, you should contact Vendor's Customer Service Department using the contact information listed below. If Vendor confirms, after examination, a defect covered by this Limited Warranty in any returned part, and if Vendor approves the claim, Vendor will replace such defective part without charge. If you return defective parts, transportation charges must be prepaid by you. Vendor will return replacement parts to the original retail purchaser, freight or postage prepaid.

This Limited Warranty does not cover any failures or operating difficulties due to accident, abuse, misuse, alteration, misapplication, improper installation or improper maintenance or service by you or any third party, or failure to perform normal and routine maintenance on the product as set out in this owner's manual. In addition, the Limited Warranty does not cover damage to the finish, such as scratches, dents, discoloration, rust or other weather damage, after purchase.

This Limited Warranty is in lieu of all other express warranties. Vendor disclaims all warranties for products that are purchased from sellers other than authorized retailers or distributors, including the warranty of merchantability or the warranty of fitness for a particular purpose. VENDOR ALSO DISCLAIMS AND ANY ALL IMPLIED WARRANTIES, INCLUDING WITHOUT LIMITATION THE IMPLIED WARRANTIES OF MERCHANTABILITY AND FITNESS FOR A PARTICULAR PURPOSE. VENDOR SHALL NO LIABILITY TO PURCHASER OR ANY THIRD PARTY FOR ANY SPECIAL, INDIRECT, PUNITIVE, INCIDENTAL, OR CONSEQUENTIAL DAMAGES. Vendor further disclaims any implied or express warranty of, and assumes no responsibility for, defects in workmanship caused by third parties.

This Limited Warranty gives the purchaser specific legal rights; a purchaser may have other rights depending upon where he or she lives. Some jurisdictions do not allow the exclusion or limitation of special, incidental or consequential damages, or limitations on how long a warranty lasts, so the above exclusion and limitations may not apply to everyone.

Vendor does not authorize any person or company to assume for it any other obligation or liability in connection with the sale, installation, use, removal, return, or replacement of its equipment, and no such representations are binding on Vendor.

Blue Rhino Global Sourcing, LLC  
Winston-Salem, North Carolina USA  
(800) 762-1142

Contact 1.800.762.1142 for assistance. Do not return to place of purchase.

## Troubleshooting

<b>Problem</b>	<b>Possible Cause</b>	<b>Prevention/Cure</b>
<b>Burner will not light using ignitor</b>	Wires or electrode covered with cooking residue.	Clean wire and/or electrode with rubbing alcohol.
	Electrode and burners are wet.	Wipe dry with cloth.
	Electrode cracked or broken - sparks at crack.	Replace electrode.
	Wire loose or disconnected.	Reconnect wire or replace electrode/wire assembly
	Wire is shorting (sparking) between ignitor and electrode.	Replace ignitor wire/electrode assembly
	Bad ignitor.	Replace ignitor
<b>Burner will not light with match</b>	No gas flow.	Check if LP cylinder is empty. If LP cylinder is not empty, refer to "Sudden drop in gas flow (reduced flame height). If empty, replace or refill.
	Coupling nut and regulator not fully connected.	Turning the coupling nut about one-half to three quarters additional turn until solid stop. Tighten by hand only-do not use tools.
	Obstruction of gas flow.	Clear burner tubes. Check for bent or kinked hose.
	Disengagement of burner to valve.	Reengage burner and valve.
	Spider webs or insect nest in venturi.	Clean venturi.
	Burner ports clogged or blocked.	Clean burner ports.
<b>Sudden drop in gas flow or reduced flame height</b>	Out of gas.	Check for gas in the LP cylinder
	Excess flow safety device may have been activated.	Turn off knobs, wait 30 seconds and light grill. If flames are still too low Reset the excessive flow safety device by turning off knobs and LP cylinder valve. Disconnect regulator. Turn burner control knobs to HIGH. Wait 1 minute. Turn burner control knobs off. Reconnect regulator and leak check connections. Turn LP cylinder valve on slowly, wait 30 seconds and then light grill.
<b>Irregular flame pattern, flame does not run the full length of burner.</b>	Burner ports are clogged or blocked.	Clean burner ports.
<b>Flame is yellow or orange.</b>	New burner may have residual manufacturing oils.	Burn grill for 15 minutes with the lid closed
	Spider webs or insect nest in venturi	Clean venturi.
	Food residue, grease or seasoning salt on burner.	Clean burner.
	Poor alignment of valve to burner venturi.	Assure burner venturi is properly engaged with valve
<b>Flame blow out</b>	High or gusting winds	Turn front of grill to face wind or increase flame height to HIGH setting
	Low on LP Gas	Replace or refill LP cylinder
	Excess flow valve tripped	Refer to "Sudden drop in gas flow"
<b>Flare-up</b>	Grease buildup.	Clean grill.
	Excess fat in meat.	Trim fat from meat before grilling.
	Excessive cooking temperature.	Adjust (lower) temperature accordingly.
<b>Persistent grease fire.</b>	Grease trapped by food buildup around burner system	Turn knobs to OFF. Turn gas off at LP cylinder. Leave lid in closed position and let fire burn out. After grill cools, remove and clean all parts.
<b>Flashback (fire in burner tube(s))</b>	Burner and/or burner tubes are blocked	Clean burner and/or burner tubes
<b>Inside of lid is peeling-like paint peeling</b>	The lid is stainless steel, not paint.	Baked on grease buildup has turned to carbon and is flaking off. Clean thoroughly.



**Si necesita ayuda llame al 1.800.762.1142. No vuelva al lugar de compra.**

**Si necesita ayuda llame al 1.800.762.1142. No vuelva al lugar de compra.**

## Resolución de problemas

<b>Problema</b>	<b>Causa posible</b>	<b>Prevención/solución</b>
<b>El quemador no se enciende utilizando el encendedor.</b>	<p>Cables o electrodos cubiertos con restos de alimentos.</p> <p>Limpie el cable y/o electrodos con alcohol isopropílico.</p> <p>Séquele con un paño.</p> <p>Los electrodos y los quemadores están mojados.</p> <p>Electrodo agrietado o roto; chispas en las griteras.</p> <p>Sustituya el electrodos.</p> <p>Cable suelto o desconectado.</p> <p>El cable tiene un cortocircuito (chispeo) entre el encendedor y el electrodos.</p> <p>Sustituya el conjunto cable del encendedor/electrodos.</p> <p>Dispositivo de encendido defectuoso.</p> <p>Sustituya el encendedor.</p>	<p>Compruebe si el tanque de propano líquido está vacío. Si el tanque de propano líquido no está vacío, consulte la sección "Caída repentina del flujo de gas" (tamaño de llama insuficiente). Si está vacío, sustitúyalo o vuelva a llenarlo.</p> <p>Gire la tuerca de acoplamiento entre media vuelta y tres cuartos de vuelta hasta que haga tope con firmeza. Apriete únicamente a mano, sin utilizar ninguna herramienta.</p> <p>Limpie los tubos del quemador. Verifique que la manguera no esté torcida o doblada.</p> <p>Desacoplamiento del quemador a la válvula.</p> <p>Telarñas o nidos de insectos en el venturi.</p> <p>Bocas del quemador atascadas u obstruidas.</p>
<b>El quemador no se enciende con una cerilla.</b>	<p>No hay flujo de gas.</p> <p>Compruebe si el tanque de propano líquido está vacío. Si el tanque de propano líquido no está vacío, consulte la sección "Caída repentina del flujo de gas" (tamaño de llama insuficiente). Si está vacío, sustitúyalo o vuelva a llenarlo.</p> <p>Gire la tuerca de acoplamiento entre media vuelta y tres cuartos de vuelta hasta que haga tope con firmeza. Apriete únicamente a mano, sin utilizar ninguna herramienta.</p> <p>Limpie los tubos del quemador. Verifique que la manguera no esté torcida o doblada.</p> <p>Desacoplamiento del quemador a la válvula.</p> <p>Telarñas o nidos de insectos en el venturi.</p> <p>Bocas del quemador atascadas u obstruidas.</p>	<p>Compruebe si hay gas en el tanque de propano líquido.</p> <p>Gire las perillas a la posición "OFF" (apagado), espere 30 segundos y encienda la parrilla. Si las llamas continúan siendo demasiado bajas reinicie el dispositivo de seguridad de flujo excesivo girando las perillas a la posición "OFF" y la válvula del tanque de propano líquido. Desconecte el regulador. Gire las perillas de control del quemador a la posición "HIGH" (alto). Espere 1 minuto. Gire las perillas de control del quemador a la posición "OFF". Vuelva a conectar las conexiones del regulador y del dispositivo de comprobación de fugas. Abra lentamente la válvula del tanque de propano líquido, espere 30 segundos y, a continuación, encienda la parrilla.</p>
<b>Caída repentina del flujo de gas o altura de la llama insuficiente.</b>	<p>Sin gas.</p> <p>Puede que se haya activado el dispositivo de seguridad de exceso de flujo.</p>	<p>Gire las perillas a la posición "OFF" (apagado), espere 30 segundos y encienda la parrilla. Si las llamas continúan siendo demasiado bajas reinicie el dispositivo de seguridad de flujo excesivo girando las perillas a la posición "OFF" y la válvula del tanque de propano líquido. Desconecte el regulador. Gire las perillas de control del quemador a la posición "HIGH" (alto). Espere 1 minuto. Gire las perillas de control del quemador a la posición "OFF". Vuelva a conectar las conexiones del regulador y del dispositivo de comprobación de fugas. Abra lentamente la válvula del tanque de propano líquido, espere 30 segundos y, a continuación, encienda la parrilla.</p>
<b>Falta de uniformidad en la llama, la llama no cubre toda la longitud del quemador.</b>	<p>Las bocas del quemador están atascadas u obstruidas.</p>	<p>Limpie las bocas del quemador.</p>
<b>La llama es de color amarillo o naranja.</b>	<p>Puede que el nuevo quemador tenga aceites residuales del proceso de fabricación.</p> <p>Haga funcionar la parrilla durante 15 minutos con la tapa cerrada.</p> <p>Limpie el venturi.</p> <p>Restos de alimentos, grasa o sal para condimentar en el quemador.</p> <p>Limpie el quemador.</p>	<p>Limpie el venturi.</p> <p>Restos de alimentos, grasa o sal para condimentar en el quemador.</p> <p>Limpie el quemador.</p>
<b>La llama se apaga.</b>	<p>Vientos fuertes o racheados.</p> <p>Gire el frente de la parrilla de cara al viento o aumente la altura de la llama a la graduación "HIGH" (alto).</p> <p>Nivel de gas del tanque de propano bajo.</p> <p>Sustituya el tanque o vuelva a llenarlo.</p> <p>Válvula de exceso de flujo obstruida.</p> <p>Consulte la sección "Caída repentina del flujo de gas".</p>	<p>Consulte la sección "Caída repentina del flujo de gas".</p> <p>Limpie la parrilla.</p> <p>Retire la grasa de la carne antes de ponerla en la parrilla.</p> <p>Carne con exceso de grasa.</p> <p>Si está utilizando una temperatura excesiva para cocinar.</p>
<b>Fogonazo.</b>	<p>Formaciones de grasa.</p> <p>Limpie la parrilla.</p>	<p>Limpie la parrilla.</p> <p>Retire la grasa de la carne antes de ponerla en la parrilla.</p> <p>Ajuste (baje) la temperatura según corresponda.</p>
<b>La grasa provoca un fuego persistente</b>	<p>Grasa atascada por la acumulación de comida alrededor del sistema de quemadores</p>	<p>Gire las perillas a la posición "OFF" (apagado). Cierre el gas del tanque de propano líquido. Deje la tapa cerrada y deje que el fuego se consuma. Una vez se haya enfriado la parrilla, quite y limpie todas las piezas.</p>
<b>Centelleos (hay fuego en el/los tubo(s) del quemador).</b>	<p>El quemador y/o juegos de quemadores están bloqueados.</p>	<p>Limpie el quemador y/o los tubos del quemador.</p>
<b>El interior de la tapa se está pelando; igual que cuando se pela la pintura.</b>	<p>La tapa es de acero inoxidable, no pintada.</p>	<p>La acumulación de grasa se ha convertido en carbón y se está desmenuzando. Limpíela completamente.</p>

## Limpeza y cuidado

**Precaución**

- Todas la operaciones de limpieza y mantenimiento deben realizarse con la parrilla fría y con el suministro de combustible del tanque de propano líquido cerrado.
- NO limpie ninguna pieza de esta parrilla en un horno de limpieza automática. El calor extremo dañará el terminado.

### Avisos

- Esta parrilla debe limpiarse y verificarse completamente de manera regular.
- No use productos de limpieza abrasivos pues dañarán este aparato.
- No utilice nunca productos limpiahornos para limpiar cualquier pieza de la parrilla.
- Nunca use ninguna pieza de esta parrilla en un horno de limpieza automática. El calor extremo dañará el terminado.

### Cada vez que vaya a usar la unidad:

- Mantenga el rededor de la unidad limpio y libre de materiales combustibles, gasolina, y otros líquidos y vapores inflamables.
- No obstruya el flujo de combustión del propano líquido ni el aire de ventilación.
- Mantenga la abertura o aberturas de la zona del tanque de gas propano líquido abiertas y libres de basura.

- Visualmente examine la llama del quemador para estar seguro de que la parrilla está funcionando adecuadamente.

- Ve a las instrucciones de limpieza más adelante para verificar que las observa apropiadamente.

- Examine y limpie el quemador y los tubos del venturi de insectos y nidos de insectos. Un tubo atascado puede llevar a un incendio debajo de la parrilla.

### Limpeza de las superficies

- Limpie las superficies con un detergente suave de lavado de platos o con soda de hornear.
- En superficies de limpieza difícil, use un desengrasador a base de cítricos y un cepillo de nylon.
- Enjuague las superficies con agua limpia.

### Limpeza del quemador principal

- Cierre el gas en las perillas de control y en el tanque de propano líquido.
- Remueva las parrillas de cocción y las placas de calentamiento.

- Remueva el quemador, quitando los tres ganchos que aseguran el quemador al fondo de la parrilla.
- Saque el quemador, levantándolo y alejándolo del orificio de la válvula de gas.

- Desconecte el alambre del electrodo que produce la chispa.

- Limpie la entrada (venturi) del quemador usando un cepillo pequeño de limpiar botellas o un chorro de aire comprimido.

- Remueva todo residuo de comida o desperdicio que haya quedado en la superficie del quemador.

- Limpie puertos que se encuentren obstruidos, usando un alambre firme (tal como un sujetapapeles abierto).

- Inspeccione el quemador para verificar si tiene daños (grietas o perforaciones). Si encuentra daños, sustitúyalo con un nuevo quemador.

- Vuelva a instalar el quemador, verificando que los orificios de la válvula de gas quedan colocados correctamente dentro de la entrada del quemador (venturi). También verifique la posición del electrodo de chispa.

- Vuelva a colocar la placa de calentamiento y la parrilla de cocción.

- Haga una prueba de fugas.

### Limpeza del quemador lateral

- Cierre el gas en las perillas de control y en el tanque de propano líquido.

- Remueva la parrilla del quemador lateral.

- Remueva el quemador, quitando los dos tornillos que aseguran el quemador en la repisa lateral.

- Saque el quemador, levantándolo y alejándolo del orificio de la válvula de gas.

- Limpie la entrada del quemador (venturi) usando un cepillo pequeño de limpiar botellas o un chorro de aire comprimido.

- Remueva todo residuo de comida o desperdicio que haya quedado en la superficie del quemador.

- Limpie los puertos que se encuentren obstruidos, usando un alambre firme (tal como un sujetapapeles abierto).

- Inspeccione el quemador para verificar si tiene daños (grietas o perforaciones). Si encuentra daños, sustitúyalo con un nuevo quemador.
- Vuelva a instalar el quemador, verificando que los orificios de la válvula de gas quedan colocados correctamente dentro de la entrada del quemador (venturi). También verifique la posición del electrodo de chispa.
- Vuelva a colocar la parrilla de cocción.
- Haga una prueba de fugas.

### Registro del producto

Sírvase registrar su unidad inmediatamente visitando nuestro sitio de internet [www.BlueRhino.com](http://www.BlueRhino.com) o llamando al 1.800.762.1142.

### Garantía limitada

Blue Rhino Sourcing, LLC ("el fabricante") garantiza al comprador original, al detal, de este producto, y a ninguna otra persona, que si la unidad se arma y opera de acuerdo con las instrucciones impresas que la acompañan y por un periodo de un (1) año a partir de la fecha de compra, todas las piezas de este producto estarán libres de defectos en material y mano de obra. El fabricante podrá requerir prueba razonable de la fecha de compra. Por lo tanto, usted debe conservar el recibo de venta o la factura. Esta garantía limitada estará limitada a la reparación o reemplazo de las piezas que resulten defectuosas en condiciones de servicio y uso normal y las que un examen indique, a satisfacción del fabricante, que están defectuosas. Antes de devolver cualquier pieza, comuníquese con el Departamento de Servicio al Cliente (Customer Service Department) del fabricante. Si el fabricante confirma el defecto y aprueba el reclamo, el fabricante decidirá reemplazar tales partes sin costo alguno. Si se le pide que devuelva las partes defectuosas, los costos de transporte deberán ser prepagados. Esta garantía limitada no cubre fallas o dificultades de operación debidas a accidente, abuso, mal uso, alteración, empleo en usos inapropiados, instalación defectuosa o mantenimiento o servicio inapropiado o falla en la realización de mantenimiento normal y rutinario como se prescribe en este manual del usuario.

Además, la garantía limitada no cubre daños al terminado de la unidad, tales como rasguños, abolladuras, descoloridos, oxidaciones y otros daños causados por la intemperie después de la compra de la unidad. El fabricante reemplaza cualquier otra garantía. El fabricante no asume ninguna responsabilidad por garantías de productos vendidos por quienes no sean distribuidores o vendedores al detal autorizados. Esta exención de responsabilidad incluye cualquier garantía de comerciabilidad o la garantía de aptitud para un propósito en particular. EL FABRICANTE NO SE HACE RESPONSABLE POR NINGUNA GARANTIA IMPLÍCITA INCLUYENDO, SIN LIMITACIONES, LAS GARANTIAS IMPLÍCITAS DE COMERCIABILIDAD Y ADAPTABILIDAD A UN PROPOSITO PARTICULAR. EL FABRICANTE NO ASUME RESPONSABILIDAD ANTE EL COMPRADOR O ANTE CUALQUIER TERCERA PERSONA POR DAÑOS ESPECIALES, INDIRECTOS, PUNITIVOS, INCIDENTALES O CONSECUENCIALES. El fabricante, además, no asume responsabilidad por garantías implícitas o expresas por defectos de mano de obra causados por terceras personas. Esta garantía limitada le da al comprador derechos legales específicos y el comprador puede tener otros derechos según el lugar donde el comprador o la compradora residan. Ciertas jurisdicciones no permiten limitaciones en cuanto a la duración de una garantía implícita, de manera que esta limitación puede no ser aplicable a usted.

El fabricante no autoriza a ninguna persona o compañía para asumir por el fabricante cualquier otra obligación o responsabilidad relacionada con la venta, instalación, uso, remoción, devolución o reemplazo de este equipo y cualquier representación de esta naturaleza no obliga al fabricante.

Blue Rhino Sourcing, LLC  
 Winston-Salem, North Carolina 27104, EE.UU.  
 (800)-762-1142

**PRECAUCION: Si la llama del quemador se apaga durante el funcionamiento, cierre el gas (“OFF”) inmediatamente y abra la tapa durante 5 minutos para dejar que la zona quede despejada de gas antes de volver a encenderlo.**

**Apagado:**

1. Gire todas las perillas de control en la dirección de las manecillas del reloj a la posición “OFF” (apagado).
2. Cierre el gas en el tanque de propano líquido.

**Uso por primera vez**

1. Verifique que todos los empaques, etiquetas y envolturas de protección han sido removidos de la parrilla.

2. Remueva todo aceite de fabricación que encuentre en la unidad antes de usar la parrilla por primera vez, encendiendo la parrilla por lo menos por 15 minutos en la graduación “HIGH” (alto), con la tapa cerrada. Esto realizará una “limpieza por calor” en las piezas internas de la unidad y hará que los olores se disipen.

**Coccion directa**

Coccion directa sobre los quemadores calientes. Ideal para charruscar los jugos y para cocer alimentos que requieran menos de 25 minutos de tiempo de asado, tales como bistec, hamburguesas, perros calientes, porciones de aves, legumbres y frutas.

1. Abra la tapa y encienda los quemadores siguiendo las instrucciones de encendido del usuario.

2. Cierre la tapa y haga un calentamiento previo de la parrilla en la graduación “HIGH” (alto).

3. Use guantes de protección y tenacillas de mango largo para colocar los alimentos en las parrillas de coccion sobre los quemadores encendidos.
4. Ajuste los controles a la temperatura deseada.

5. Con la tapa abierta o cerrada haga la coccion de los alimentos hasta que la temperatura interna del alimento se haya alcanzado.

6. Apague la parrilla (OFF) cerrando primero la válvula del tanque de propano. Deje que se extinga el gas que queda en las líneas, esperando 15 segundos antes de girar los controles del quemador a la posición “OFF” (apagado). El ruido de “put” es normal cuando el residuo de gas propano licuado en la línea se ha extinguido.

**Coccion indirecta**

En este proceso la coccion no se hace directamente sobre las bridgetas encendidas. Es ideal para cocer alimentos de lento cocimiento que requieran más de 25 minutos, tales como: asados, lomos, chuletas, pollos enteros, pavos, pescado y alimentos horneados.

1. Abra la tapa y encienda los quemadores requiridos siguiendo las instrucciones de encendido del usuario.

2. Cierre la tapa y haga un calentamiento previo de la parrilla en la graduación “HIGH” (alto).

3. Use guantes de protección y tenacillas de mango largo para colocar los alimentos en las parrillas de coccion sobre los quemadores apagados.
4. Ajuste los controles a la temperatura deseada.

5. Con la tapa abierta o cerrada haga la coccion de los alimentos hasta que la temperatura interna del alimento se haya alcanzado.

6. Apague la parrilla (OFF) cerrando primero la válvula del tanque de propano. Deje que se extinga el gas que queda en las líneas, esperando 15 segundos antes de girar los controles del quemador a la posición “OFF” (apagado). El ruido de “put” es normal cuando el residuo de gas propano licuado en la línea se ha extinguido.

**Sugerencias para una mejor preparación de los alimentos y una vida útil más larga de la parrilla**

1. Para sugerencias de seguridad visite: [http://www.fs.is.usda.gov/Fact\\_Sheets/Barbecue\\_Food\\_Safety/index.asp](http://www.fs.is.usda.gov/Fact_Sheets/Barbecue_Food_Safety/index.asp)

2. Use la parrilla de coccion de arriba (rejilla de calentamiento) para mantener calientes los alimentos ya cocidos, pan tostado, o para cocer alimentos delicados en bolsas de papel de aluminio.

3. Use el quemador lateral de esta unidad como se usa el elemento calórico normal de una cocina para hervir, freír o saltear.

4. Para evitar que los alimentos se peguen en las parrillas, aplique una capa de aceite de cocina a las parrillas antes de encender la unidad.

5. Para reducir el encendido de la grasa, mantenga la parrilla limpia, use cortes de carne sin grasa (o remueva el acceso de grasa) y evita cocerla a temperaturas demasada altas.

6. Coloque alimentos delicados tales como pescado y legumbres en bolsas de papel de aluminio y coloque las bolsas en el nivel superior de coccion (rejilla de calentamiento).

7. Para evitar la pérdida de jugos naturales, use tenacillas de mango largo o espátulas, en lugar de tenedores, y voltee el alimento solamente una vez durante el proceso de coccion.

8. Cuando haga coccion directa, ajuste los quemadores a diferentes niveles de manera que los alimentos puedan prepararse a sus respectivas temperaturas internas durante el mismo lapso de tiempo.

9. Cuando por coccion indirecta prepare asados y porciones grandes de carne, coloque la carne en una parrilla de asar dentro de una olla de metal grueso. Coloque la olla sobre los quemadores apagados.

10. Ensaye el uso de ollas con agua para reducir la combustión de grasa y cocer carnes muy jugosas. Antes de encender la unidad remueva las parrillas de coccion y coloque una olla panda, para trabajo pesado, directamente sobre las placas de calor. Llene la olla hasta la mitad con agua, jugos de fruta u otros líquidos para dar sabor. Vuelva a colocar las parrillas de coccion y ponga los alimentos en la parrilla sobre la olla con líquido.

11. Realce el sabor de los alimentos usando astillas de madera en cajas metálicas para humear o bolsas de papel de aluminio. Siga las instrucciones del fabricante de las astillas de madera para esta operación.

12. Las canastas de asar, asadores, sostenes verticales para la carne de ave y otros accesorios pueden hacer más agradable su experiencia, reducir el tiempo de coccion y facilitar la labor de limpieza.

13. Limpie las parrillas de coccion y las rejillas después de cada uso con un cepillo de calidad diseñado para el material de su parrilla. Use guantes de protección y remueva con cuidado la acumulación de residuos en las parrillas mientras éstas están todavia calientes.

14. Después de cada uso deje que la parrilla se enfríe. Luego protéja las parrillas de coccion ya limpias con una ligera capa de aceite de cocina apropiado y protéja las superficies con superficies exteriores con un limpiador de cocina apropiado y protéja las superficies con una cubierta de calidad que se acomode apropiadamente su unidad.

15. Visite páginas de internet - tales como [www.bluethrino.com](http://www.bluethrino.com) - vea programas de televisión relacionados con la coccion de asados a la parrilla o compre libros de cocina relacionados con este tema para obtener interesantes sugerencias tales como:

*Una parrilla a gas es ideal para volver a calentar una porcion de pizza. Gradúe los quemadores a nivel bajo y coloque las secciones de pizza directamente en la parrilla de coccion, previamente calentada. Cierre la tapa y continúe el proceso de coccion hasta que el queso principie a hacer burbujas.*

**Operación del quemador lateral**

NOTA: Se puede usar el quemador lateral si los quemadores principales están encendidos. Nunca use el quemador lateral como parrilla.

**Encendido**

1. Abra la tapa. ¡Si intenta encender el quemador con la tapa cerrada puede provocar una explosión!

2. Asegúrese de que no hay nada que obstruya el flujo de aire en la unidad de gas. Arañas y otros insectos pueden formar sus nidos dentro y obstruir los orificios del quemador/tubo de venturi. Un tubo de quemador obstruido puede provocar un incendio debajo del aparato.

3. La perilla de control tiene que estar en la posición “OFF” (apagado).

4. Abra el gas desde el tanque de propano líquido.

5. Oprima y gire la perilla de control en el sentido contrario a las manecillas del reloj para situarlo en la posición “HIGH” (alto).

6. Oprima la perilla del encendedor electrónico y manténgala así por 5 segundos para que el encendedor encienda el quemador.

7. Si el quemador no se enciende en 5 segundos, gire la perilla de control a “OFF” (apagado), espere 5 minutos y repita el procedimiento de encendido.

8. En caso de que el encendedor no encienda el quemador, use una cerilla encendida colocada en la vara de encendido que se acompaña para encender los quemadores manualmente. Acerque la llama de la cerilla al lado del quemador

importante: Use siempre la vara de encendido que se incluye, cuando desee encender los quemadores con una cerilla.

9. Después de encender el quemador observe su llama y asegúrese de que todos los orificios estén encendidos y que la altura de la llama corresponda a la del diagrama.

**PRECAUCION: Si la llama del quemador se apaga durante el funcionamiento, cierre el gas (“OFF”) inmediatamente, y abra la tapa durante 5 minutos para dejar que la zona quede despejada de gas antes de volver a encenderlo.**

1. Cierre el gas en el tanque de propano líquido.

2. Gire la perilla de control en la dirección de las manecillas del reloj a la posición “OFF” (apagado).

3. Coloque la olla en el centro de la parrilla.

4. Deje cocer los alimentos y ajuste la temperatura si es necesario.

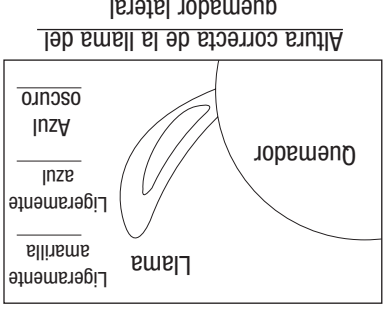
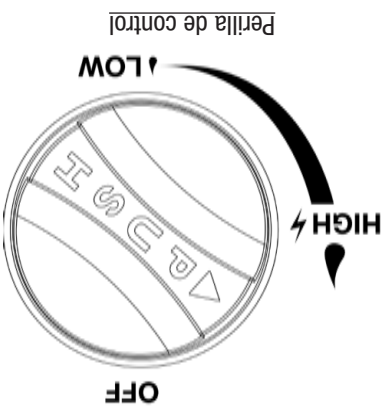
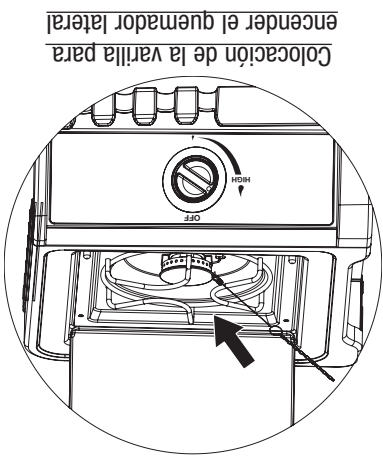
**Coccion**

1. Encienda el quemador.

2. Gradúe el quemador al nivel deseado.

3. Coloque la olla en el centro de la parrilla.

4. Deje cocer los alimentos y ajuste la temperatura si es necesario.



Altura correcta de la llama del quemador lateral



## Instalación del tanque de gas propano líquido

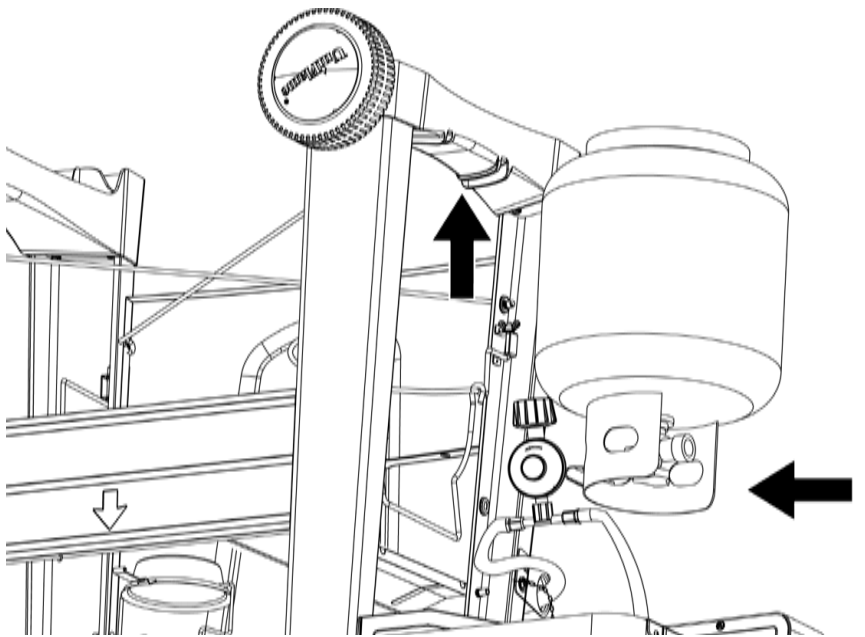
Para operar la parrilla usted necesitará un (1) tanque de gas propano líquido de 20 libras (9 kg), para parrilla estándar, llenado con precisión y con rosca para la conexión de la válvula externa.

*Nota:* Un tanque estándar vacío de gas propano líquido para parrilla pesa aproximadamente 18 libras (8,1 kg). Un tanque estándar de gas propano líquido para parrilla llenado con precisión no debe pesar más de 38 libras (17,2 kg).



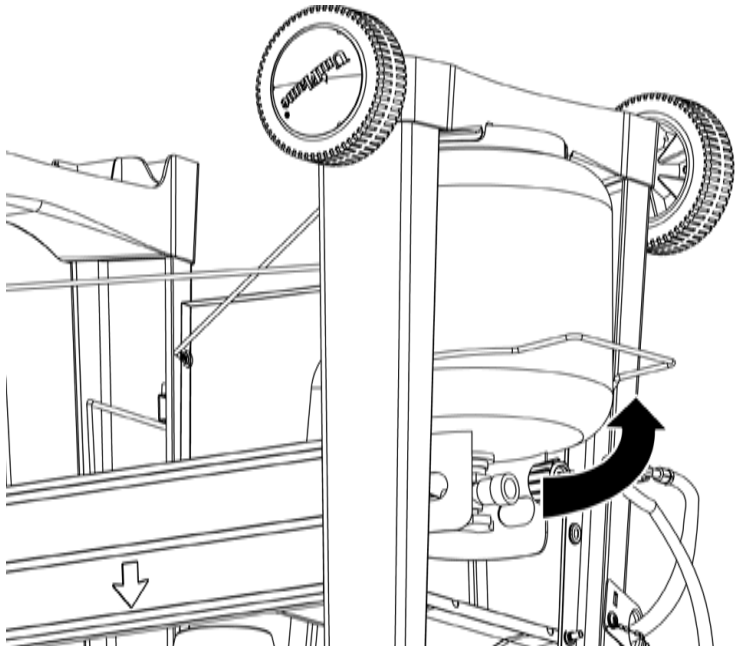
## Inserte el tanque de propano

Coloque un tanque de propano, llenado con precisión, en posición vertical en la abertura en el cuerpo de la parrilla de manera que quede colocado para extracción del gas.



## Asegure el tanque de propano

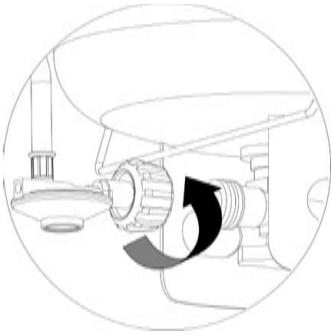
Asegure el tanque pasando el alambre de retención del tanque por sobre el hombro del tanque de propano.



## Conecte el tanque de propano

Antes de conectar el tanque, asegúrese de que tanto la cabeza del mismo como la del regulador y los orificios/ puertos del quemador, estén libres de cualquier suciedad.

Conecte la línea de gas al tanque girando la perilla en la dirección de las manecillas de reloj hasta su límite.



Antes de desconectar el tanque, asegúrese de que la válvula del tanque de gas propano líquido está en la posición "OFF" (apagado).

Desconecte la línea de gas al tanque girando la perilla en la dirección contraria a las manecillas de reloj hasta que esté floja.



**¿Necesita un tanque de gas?** Pruebe nuestro servicio de intercambio de tanques. Es sencillo, rápido, seguro y está disponible en decenas de miles de puestos de venta a lo largo de todo el país. Puede comprar un nuevo tanque lleno o cambiar su tanque vacío por un lleno.

## Instrucciones de operación

### Comprobar si hay fugas

**Conexiones del quemador**

Asegúrese de conectar adecuadamente la válvula del regulador al quemador y al tanque.

Si alguien armó la unidad para usted, verifique visualmente la conexión entre el tubo del quemador y el orificio. Asegúrese de que el tubo del quemador encaja sobre el orificio.



### ADVERTENCIA

**El no inspeccionar esta conexión o seguir debidamente estas instrucciones puede causar incendio o explosión ocasionando muerte, graves lesiones o daños a la propiedad.**

Por favor, consulte el diagrama para llevar a cabo correctamente la instalación.

Si el tubo del quemador no queda a ras con el orificio, por favor llame al 1.800.762.1142.

### Conexión de la línea de gas y del tanque

Prepáre unos 80 ml de solución para comprobar si hay fugas mezclando una parte de jabón líquido para lavar platos y tres partes de agua.

Asegúrese de que las perillas de control están en la posición "OFF" (apagado).

Abra el gas (ON) desde la válvula del tanque.

Aplique con una cuchara la solución de verificación de escapes en todas las ubicaciones marcadas con "X".

Si en cualquier punto aparecen burbujas, cierre la válvula del tanque (OFF), vuelva a conectar la manguera y verifique nuevamente. Si las burbujas continúan apareciendo después de varios ensayos, desconecte la fuente de propano y llame al teléfono 1.800.762.1142 para notificar el defecto.

Si no aparecen burbujas por un lapso de un minuto, cierre (OFF) la válvula del tanque de gas y limpie la solución para continuar el proceso.

## Operación de los quemadores principales:

### Encendido

1. Abra la tapa. ¡Si intenta encender el quemador con la tapa cerrada puede provocar una explosión!

2. Asegúrese de que no hay nada que obstruya el flujo de aire en la unidad de gas. Arañas y otros insectos pueden formar sus nidos dentro y obstruir los orificios del quemador/tubo de venturi. Un tubo de quemador obstruido puede provocar un incendio debajo del aparato.

3. Todas las perillas tienen que estar en la posición "OFF" (apagado).

4. Abra el gas desde el tanque.

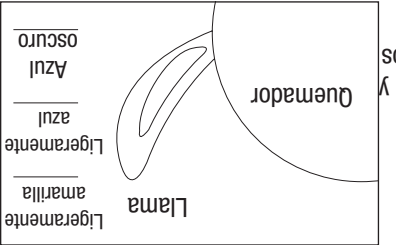
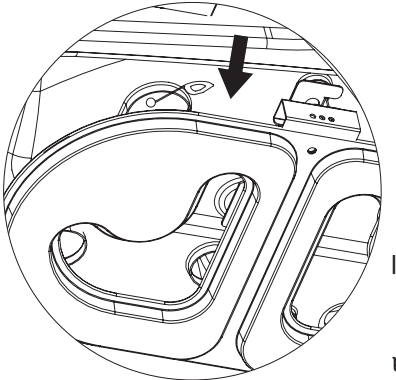
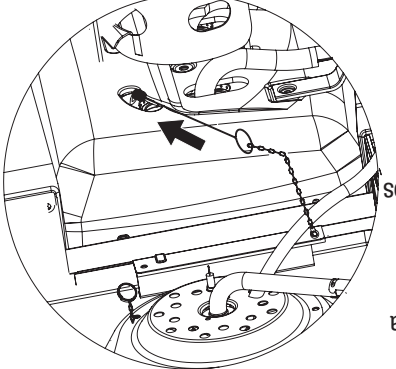
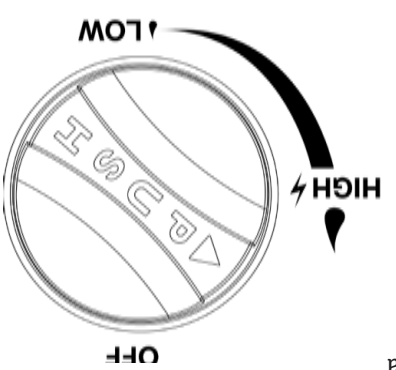
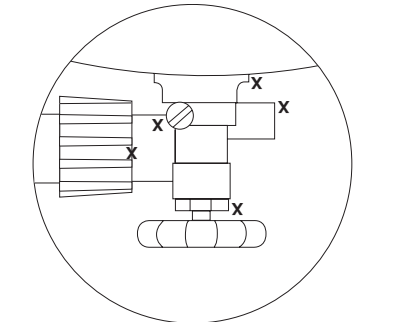
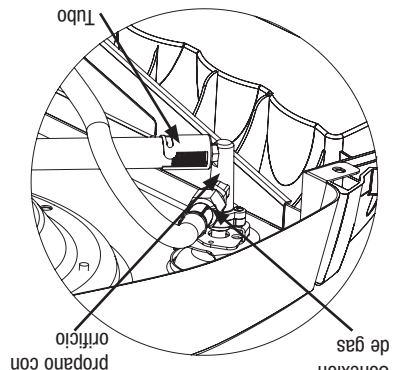
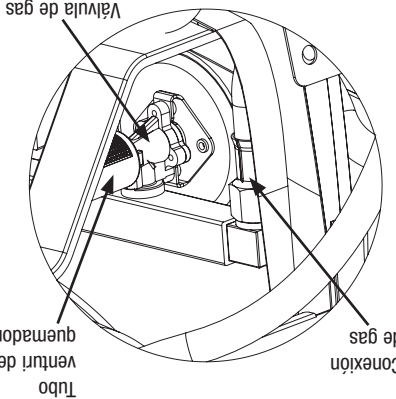
5. Oprima y gire la perilla de control en el sentido contrario a las manecillas del reloj para situarlo en la posición "HIGH" (alto).

6. Oprima la perilla del encendedor electrónico y manténgala así por 5 segundos para que encienda el quemador.

7. Si el quemador no se enciende en 5 segundos, gire la perilla de control a "OFF" (apagado), espere 5 minutos y repita el procedimiento de encendido.

8. En caso de que el encendedor no encienda el quemador, use una cerilla encendida colocada en la varilla de encendido que se acompaña para encender los quemadores manualmente. Gane acceso a los quemadores por el espacio entre la rejilla de cocción y las placas de calentamiento. Acerque la llama de la cerilla al lado del quemador.

9. Después de encender el quemador observe su llama y asegúrese de que todos los orificios estén encendidos y que la altura de la llama corresponda a la del diagrama.



Colocación de la varilla para encender el quemador principal

Altura correcta de la llama del quemador principal

Quemador

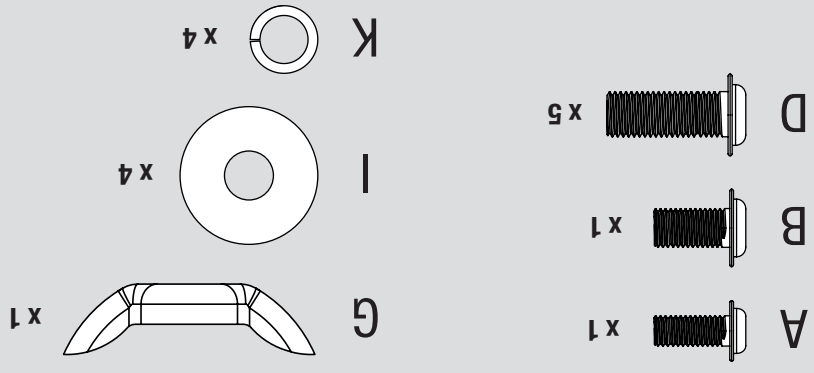
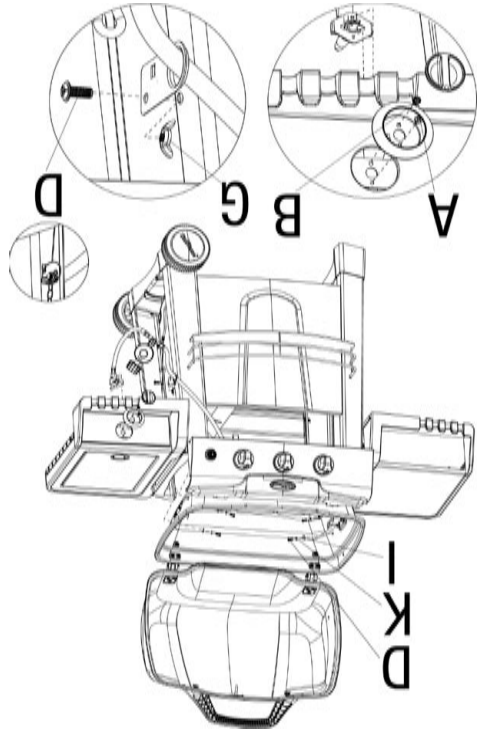
Ligera amarilla

Ligera azul

Azul oscuro

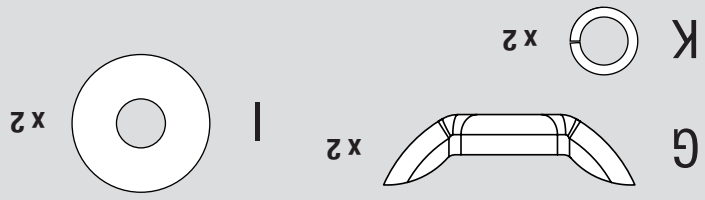
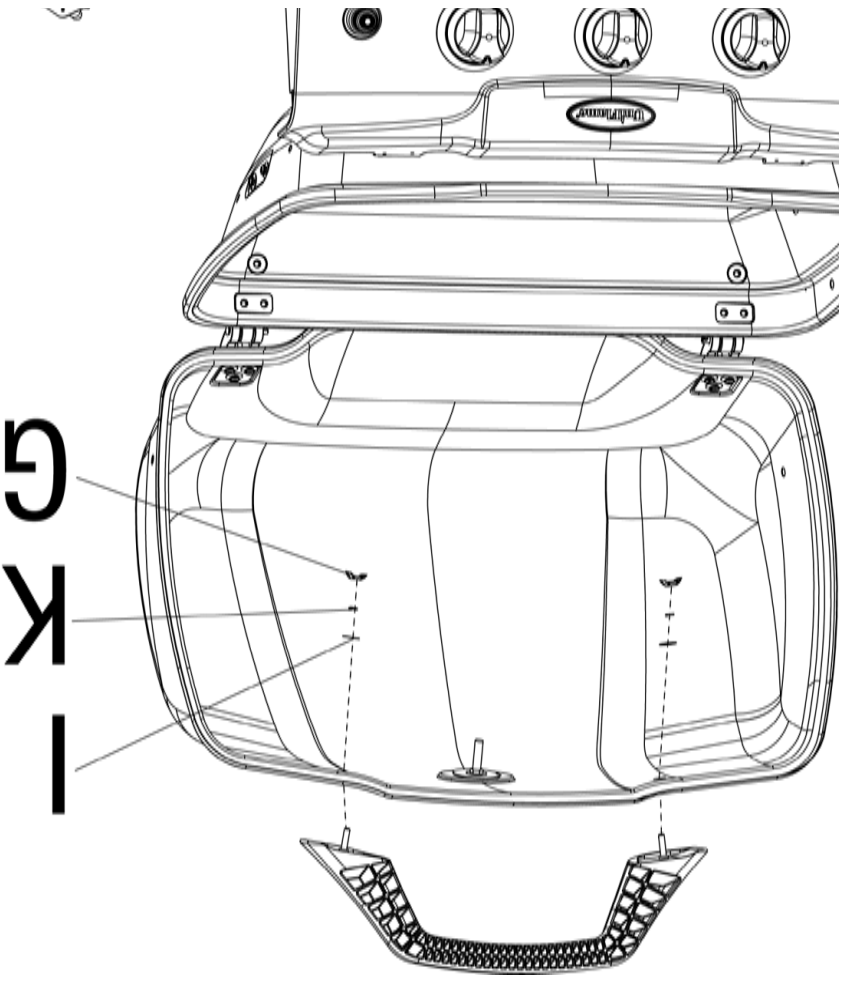
12

Fije el conjunto de la carcasa de la parrilla, el soporte de la perilla de control del quemador lateral, la perilla de control del quemador lateral y el gancho de QCC



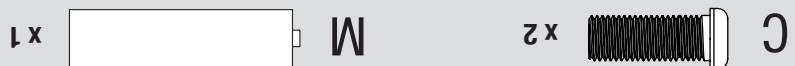
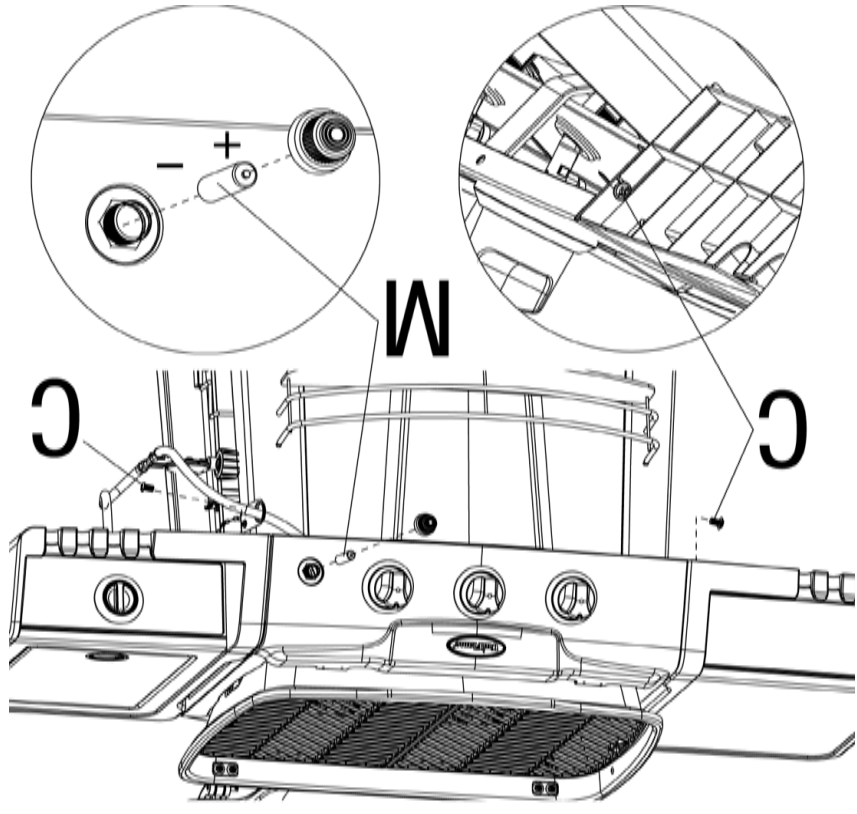
11

Fije la manija



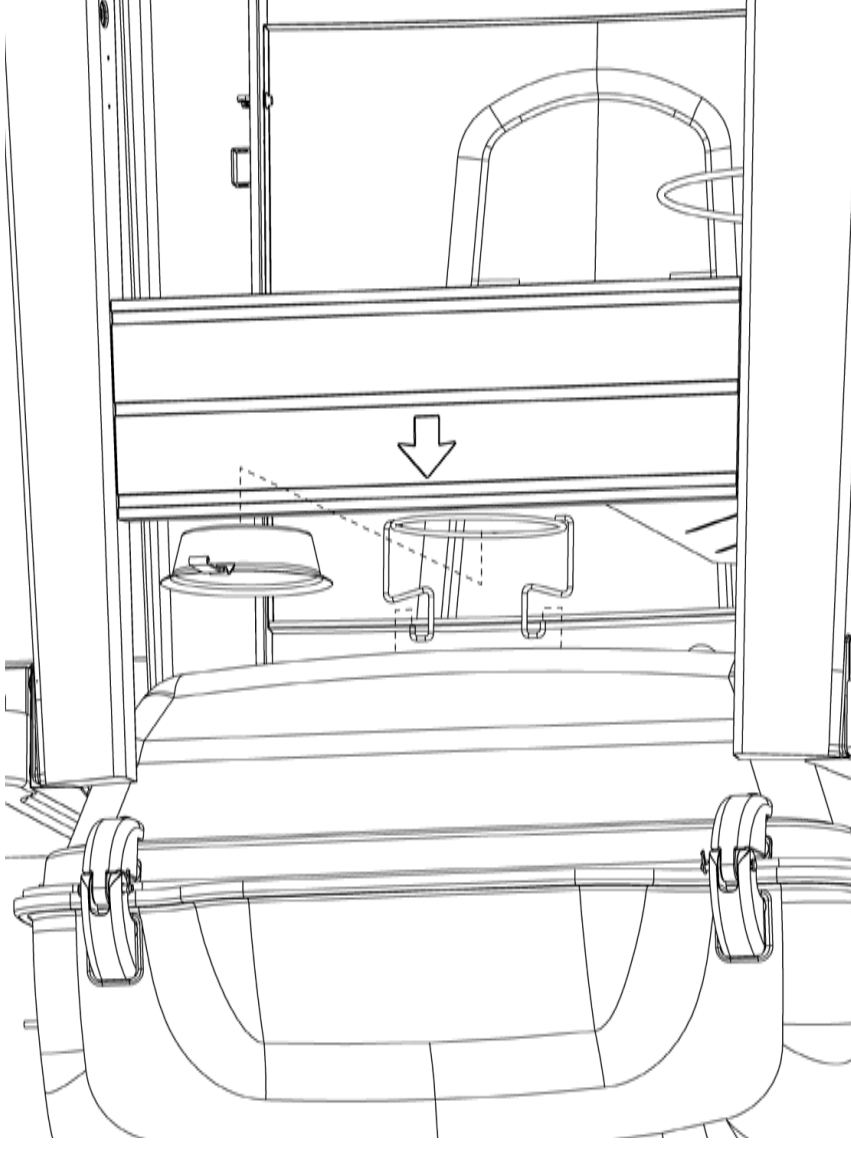
15

Asegure el panel de control e inserte la pila



16

Fije el soporte de la taza para la grasa y la taza para la grasa



**9**

Fije las repisas laterales

D x 8  
K x 8  
I x 8

**10**

Fije la canasta delantera para condimentos

D x 1

**13**

Fije el quemador lateral y la rejilla del quemador lateral

A x 2  
H x 2  
J x 2

**14**

Coloque la placa de calentamiento y las parrillas de cocción

Coloque la rejilla de calentamiento

A x 2  
H x 2  
J x 2

• Siga todos los pasos en el orden indicado para armar debidamente esta unidad.

• Despeje un área suficientemente grande para disponer todos los componentes y los elementos de ferretería.  
 • Cuando sea del caso, apriete a mano, en un principio, las conexiones de ferretería. Una vez que ha terminado el paso, apriete completamente todos los elementos de ferretería.

**4**

**Fije los resguardos del tanque**

D x 2  
E x 2  
I x 4

**3**

**Fije el panel de atrás y el panel frontal inferior**

D x 5  
I x 5  
K x 5

**8**

**Arme el quemador lateral**

D x 1  
I x 1  
K x 1

**7**

**Arme la repisa izquierda**

D x 1  
I x 1  
K x 1

**Instrucciones de armado**

**NO DEVUELVA EL PRODUCTO AL LUGAR DE COMPRA**  
 Si necesita ayuda llame, sin cargo, al 1.800.762.1142. Por favor tenga a mano su manual y el número de serie de la unidad, para referencia.

Para facilitar el armado:  
 • Evite la pérdida de componentes pequeños o elementos de ferretería, armando el producto en un lugar de piso plano sin aberturas ni hendijas.

**1**

Arme el marco izquierdo del carrito

D x4

E x2

I x6

K x4

**2**

Arme el marco derecho del carrito

D x4

F x2

I x4

K x4

L x2

**5**

Fije el escudo del tanque de gas propano líquido y el panel frontal superior

D x5

G x2

I x5

K x5

**6**

Fije los apoyos superiores izquierdo y derecho del propano marco y fije el alambre de retención del tanque de gas

D x5

G x2

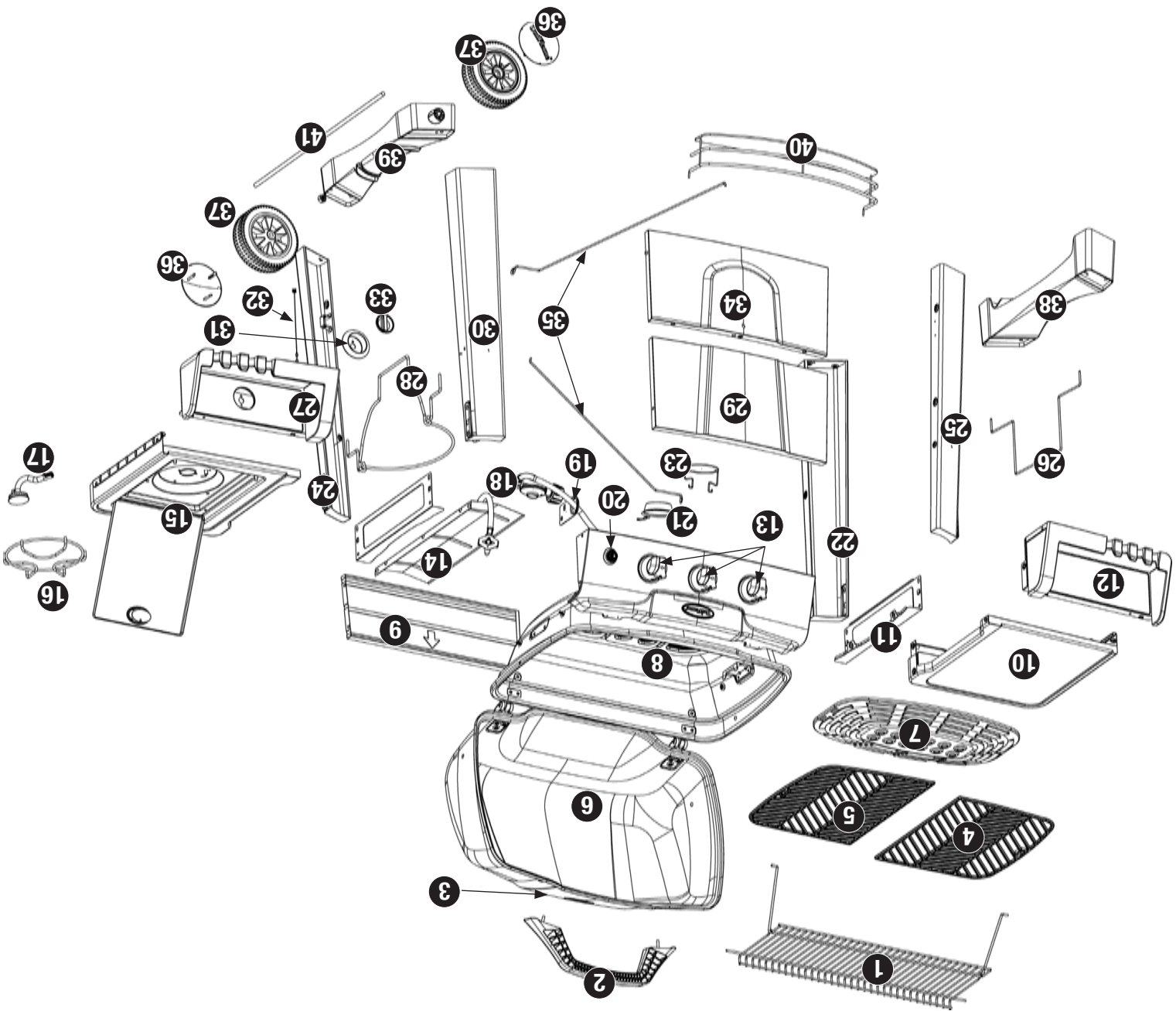
I x5

K x5

### Lista de piezas

- 1 Rejilla de calentamiento
- 2 Manija
- 3 Registro de temperatura
- 4 Parrilla de cocción izquierda
- 5 Parrilla de cocción derecha
- 6 Tapa
- 7 Placa de calentamiento
- 8 Conjunto de la carcasa de la parrilla
- 9 Panel trasero
- 10 Repisa lateral
- 11 Superior izquierdo del marco (2)
- 12 Repisa izquierda para condimentos
- 13 Perilla de control (3)
- 14 Escudo del tanque de gas
- 15 propano líquido
- 16 Conjunto del quemador lateral
- 17 Refilla del quemador lateral
- 18 Quemador lateral
- 19 Conjunto de regulador y manguera
- 20 Gancho de G.C.C.
- 21 Botón del encendedor
- 22 Taza para la grasa
- 23 Pata izquierda de atrás
- 24 Soporte de la taza para la grasa
- 25 Pata derecha de atrás
- 26 Pata izquierda del frente
- 27 Resguardo izquierdo del tanque
- 28 Repisa para condimentos
- 29 Repisa izquierda
- 30 Resguardo izquierdo del tanque
- 31 Alambre de retención del tanque de propano
- 32 Panel frontal superior
- 33 Pata derecha del frente
- 34 Soporte de la perilla de control del quemador lateral
- 35 Varilla de encendido
- 36 Perilla de control del quemador lateral
- 37 Rueda (2)
- 38 Tapacubo (2)
- 39 Rueda (2)
- 40 Apoyo inferior izquierdo del marco
- 41 Apoyo inferior derecho del marco
- 42 Canasta delantera para condimentos
- 43 Eje

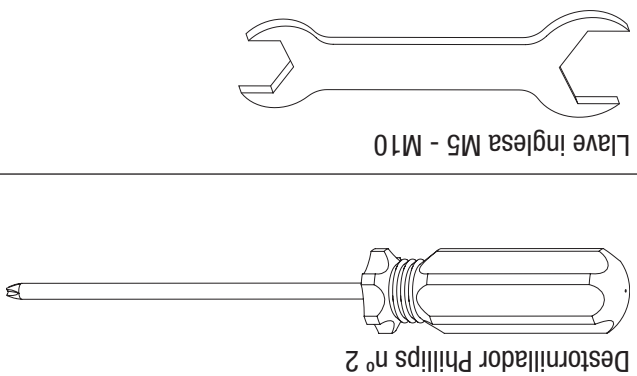
### Diagrama de explosión



### Elementos de ferretería

A	Tornillo	Phillips de cabeza abombada, galvanizado, M4x10	3 pzs
B	Tornillo	Phillips de cabeza abombada, galvanizado, M5x10	1 pz
C	Tornillo	Phillips de cabeza abombada, galvanizado, M6x16	2 pzs
D	Tornillo	Phillips de cabeza abombada, galvanizado, M6x16	36 pzs
E	Tuerca	Galvanizada, M5	4 pzs
F	Tuerca	Galvanizada, M10	2 pzs
G	Tuerca de mariposa	Galvanizada, M6	7 pzs
H	Arandela	Galvanizada, ø4,3	2 pzs
I	Arandela	Galvanizada, ø6,4	40 pzs
J	Arandela de cierre	Galvanizada, ø4,3	2 pzs
K	Arandela de cierre	Galvanizada, ø6,4	34 pzs
L	Espaciador de caucho	ø10,5 x ø17,5 x 6	2 pzs
M	Pila AA		1 pz

### Herramientas necesarias para el armado (incluidas)



Llave inglesa M5 - M10

Destornillador Phillips nº 2



## PELIGROS

1. Cierre la entrada de gas al aparato.
2. Apague cualquier llama activa.
3. Abra la tapa.
4. Si el olor persiste, llame inmediatamente a su proveedor de gas o al departamento de bomberos.

Si huele a gas -

## La Seguridad Primero

### PELIGROS y Precauciones

1. Esta parrilla es para ser usada al aire libre únicamente y no debe usarse en un edificio, garaje o cualquier otra área cerrada.
2. NO opere, encienda o use esta unidad a menos de 2,43 m de paredes, estructuras o edificaciones.
3. Esta parrilla de gas NO ha sido diseñada para uso comercial.
4. Esta parrilla utiliza únicamente gas de propano líquido como combustible. El convertir o tratar de convertir esta parrilla de gas propano líquido para ser usada con gas natural es peligroso e invalida la garantía de la unidad.
5. Características del propano líquido (PL):
  - a. El propano es inflamable y resulta peligroso si se manipula inadecuadamente. Antes de utilizar cualquier producto que emplee propano líquido, estudie detenidamente sus características.
  - b. El propano es un gas explosivo bajo presión, más denso que el aire y se asienta en pozos en zonas bajas.
  - c. En su estado natural, el propano no tiene ningún olor. Para su seguridad, se añade una esencia odorífera que huele a col podrida.
  - d. El contacto directo con el propano líquido puede causar quemaduras frías en la piel.
6. Se requiere un tanque de gas propano para hacer funcionar este aparato. Únicamente tanques marcados "Propano" pueden usarse en esta unidad.
  - a. El tanque de gas propano líquido (PL) debe estar fabricado y comercializado según las Especificaciones para tanques de gas PL del Departamento de Transporte (DOT) de EE.UU. o del Estándar nacional de Canadá, CAN/CSA-B339 sobre tanques, esteras y tubos para el transporte de mercancías peligrosas, y la comisión.
  - b. Verifique que el tanque de gas cuenta con mecanismo de extracción de vapor.
  - c. El tanque de gas propano líquido debe tener un dispositivo que evite el sobrellenado del tanque (OPD).
  - d. Utilice únicamente tanques de gas de 20 libras (9 kg) que tienen un dispositivo de conexión compatible con aparatos de cocción al aire libre.
  - e. No utilice nunca un tanque de propano líquido si el cuerpo no tiene collar para proteger la válvula.
  - f. No utilice nunca un tanque de propano líquido si el cuerpo, la válvula, el collar o el anillo inferior presentan algún daño.
  - g. Los tanques de propano líquido abollados u oxidados pueden ser peligrosos y deberían ser revisados por su proveedor de gas PL antes de utilizarlos.
  - h. No deje caer el tanque de gas propano líquido ni lo maneje bruscamente. Los tanques deben almacenarse en exteriores, en un lugar al aire libre siempre fuera del alcance de los niños y nunca en un garaje, edificio o espacio cerrado. Nunca almacene tanques de gas en un lugar en el que la temperatura supere los 125°F (51,5°C).
  - i. No ponga nunca un tanque de gas propano lleno en un carro o camioneta calientes. El calor podría hacer que la presión del gas aumentase, lo que abriría la válvula de seguridad y haría que se escapase el gas.
  - k. Ponga la tapa contra el polvo en la válvula de salida del tanque cuando no lo esté usando. Únicamente use la tapa contra el polvo que viene con la válvula del tanque. Otros tipos de tapones o tapas pueden crear fugas del propano.
  - l. Nunca guarde un tanque adicional de propano debajo o cerca de esta parrilla.
  - m. Nunca llene el tanque más allá de 80% de su capacidad.
  - n. El no seguir exactamente las instrucciones dadas arriba puede producir un incendio con daños a la propiedad, lesiones serias y hasta fatales.
  7. No intente nunca acoplar esta parrilla al sistema de propano de un campero, de una casa móvil o de su propia casa.
  8. El uso de bebidas alcohólicas, medicamentos o drogas de farmacia puede afectar la habilidad del usuario para armar debidamente u operar en forma segura este aparato.
  9. No use nunca carbón de leña, líquido para encendedor, rocas de lava, gasolina, queroseno o alcohol con este aparato.
  10. Todas las conexiones de gas de su parrilla han sido verificadas en fábrica en cuanto a fugas de gas. Sin embargo, pruebe la integridad de todas las conexiones ya que el movimiento en transporte puede aflojar algunas de ellas.
  11. Verifique que no haya fugas aun si el aparato ha sido armado por otra persona.
  12. No opere la unidad si hay una fuga de gas. Las fugas de gas pueden provocar un fuego o una explosión.
  13. Antes de operar esta unidad, debe observar todos los procedimientos de fuego o de explosión al comprobar si hay fugas:
    - a. Compruebe siempre si hay fugas antes de encender la parrilla, cada vez que el tanque de gas está conectado.
    - b. No fume. No use o permita fuentes de ignición en el área al comprobar si hay fugas.
    - c. Siempre compruebe si hay fugas en exteriores donde hay una buena ventilación.
    - d. No use cerillas o fósforos, encendedores o una llama para comprobar si hay fugas.

- e. No use la parrilla hasta que todas la fugas hayan sido reparadas. Si no puede parar una fuga, desconecte el tanque de propano. Llame a un técnico o a su proveedor de propano local.
14. No guarde o use gasolina u otros líquidos o vapores inflamables a menos de 7,62 m (25 pies) de esta unidad.
15. No utilice el equipo en una atmósfera explosiva. Mantenga la zona de la parrilla libre de materiales combustibles, gasolina y cualquier otro vapor o líquido inflamable.
16. La distancia mínima de la unidad a cualquier material o construcción combustible debe ser de por lo menos 53 cm por los costados y 53 cm por el respaldo. No coloque esta unidad debajo de aleros de materiales combustibles.
17. Es fundamental mantener limpio el compartimiento de la válvula de la parrilla, los quemadores y los conductos de aire circulante. Inspeccione la parrilla antes de cada uso.
18. No altere la parrilla de ninguna forma.
19. No utilice la parrilla a menos que esté COMPLETAMENTE montada y que todas las piezas estén bien fijadas y apretadas.
20. Esta parrilla de gas debe limpiarse y verificarse completamente de manera regular. Limpie y revise la manguera antes de cada uso del aparato. Si detecta alguna señal de abrasión, desgaste, cortes o fugas, deberá sustituir la manguera antes poner en marcha el aparato.
21. Utilice únicamente el regulador y el conjunto de manguera incluido. El regulador de repuesto y el conjunto de manguera de repuesto serán los especificados por el fabricante.
22. Use únicamente piezas autorizadas de fábrica de Blue Rhino Global Sourcing, LLC. El uso de cualquier pieza no autorizada de fábrica puede ser peligroso.
23. No encienda esta unidad sin haber leído las instrucciones de "Encendido" que se encuentran en este manual.
24. No toque las piezas de metal de la parrilla hasta que no se haya enfriado completamente (alrededor de 45 minutos) para evitar quemaduras, a menos que usted tenga puestos elementos de protección tales como guantes o almohadilla para las ollas, guantes de barbacoa, etc.
25. Cuando esté cocinado, tenga fácilmente accesibles los elementos para extinguir un incendio. En caso de que la sustancia de freír se incendie no trate de extinguir el fuego con agua. Use un extinguidor de material químico seco tipo BC o ahogue el fuego con tierra, arena o soda de hornear.
26. NO instalar o utilizar en embarcaciones o vehículos de recreo.
27. No utilice la parrilla si hace mucho viento.
28. Nunca se apoye sobre la parrilla cuando la está encendiendo.
29. No deje una parrilla encendida sin vigilancia, especialmente, mantenga los niños y las mascotas lejos de la parrilla en todo momento.
30. No intente mover la parrilla mientras esté encendida. Deje que la parrilla se enfríe antes de moverla o guardarla.
31. El almacenamiento del aparato en un espacio cerrado sólo está permitido si el tanque está desconectado, desmontado del aparato y guardado al aire libre.
32. Abra siempre la tapa de la parrilla en forma cuidadosa y lentamente, pues el calor y el vapor que hay dentro de la parrilla pueden ocasionarle severas quemaduras.
33. No trate de desconectar el regulador de gas del tanque, o cualquier otro accesorio de la línea de gas, mientras esté usando la parrilla.
34. Coloque siempre la parrilla sobre una superficie firme y nivelada, alejada de productos combustibles. Una superficie de asfalto o de pavimento puede que no sea adecuada para este propósito.
35. Retire las mangueras de gas lo más lejos posible de las superficies calientes y de las zonas donde gotee grasa caliente.
36. Mantenga todos los cables eléctricos lejos de una parrilla caliente.
37. NO use la parrilla de gas para cocinar adentro o calentar el ambiente. Los gases TÓXICOS de monóxido de carbono pueden acumularse y provocar la asfixia.
38. Después de un período de almacenamiento o de falta de uso de la unidad, verifique que no haya fugas u obstrucciones en el quemador e inspeccione la manguera para detectar zonas gastadas o cortes en ella.
39. El no abrir la tapa cuando se están encendiendo los quemadores de la parrilla, o el no esperar cinco minutos para permitir que el gas salga de la parrilla cuando el gas no se ha encendido, puede provocar una llamada explosiva.
40. Si la parrilla no se está usando, el gas debe cerrarse en el tanque de suministro.
41. Nunca opere la parrilla antes de haber instalado las placas de calentamiento.
42. Use siempre un termómetro para carne para asegurar que la comida ha quedado cocida a la temperatura apropiada.
43. Por favor, use guantes de protección cuando esté armando este producto.
44. No trate de forzar las piezas juntas pues esto puede ocasionar lesiones o dañar el producto.
45. El no seguir exactamente las instrucciones dadas arriba puede producir daños a la propiedad, lesiones serias y hasta fatales.

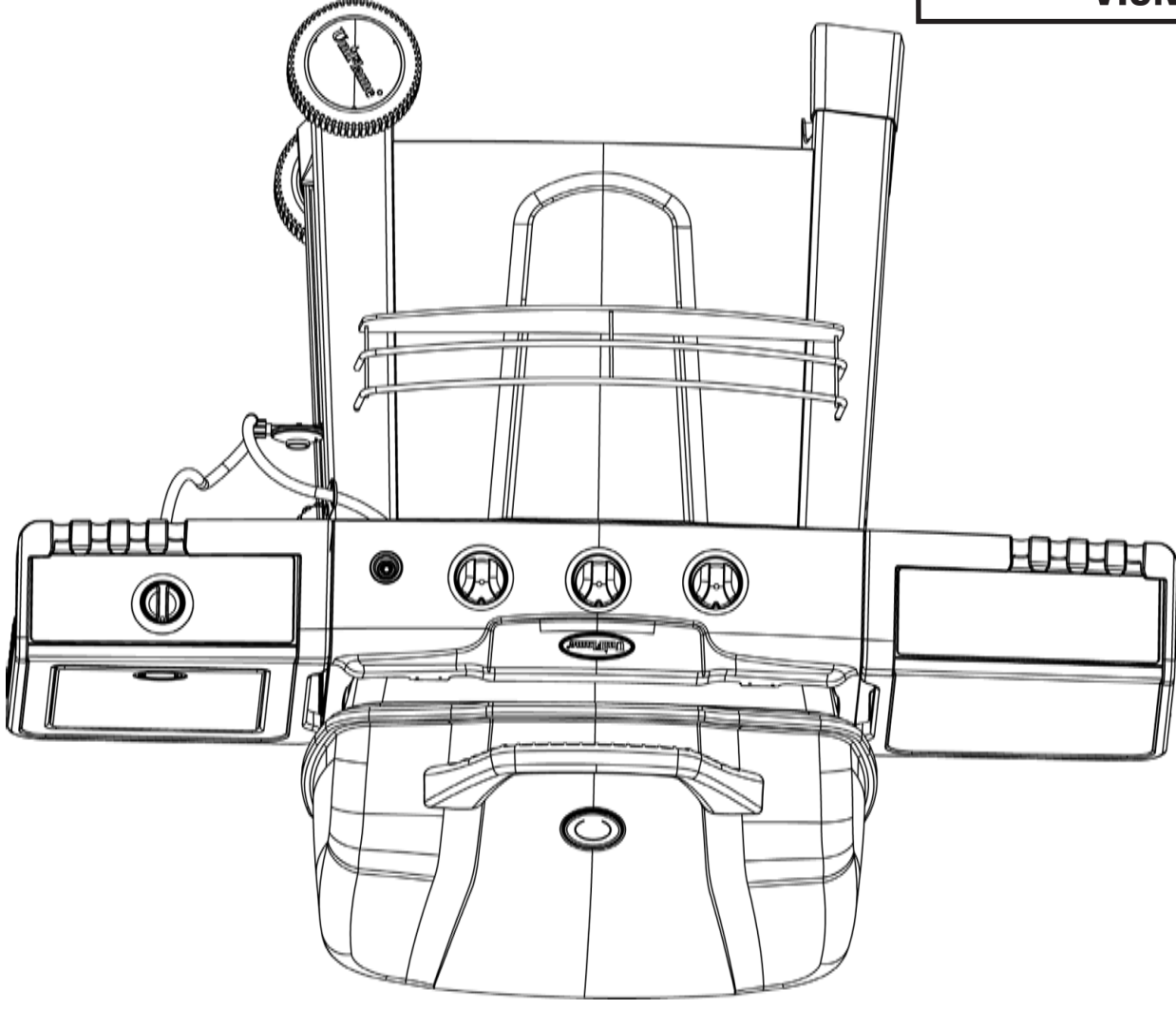
## ADVERTENCIA



1. No guarde o use gasolina u otros líquidos o vapores inflamables en la vecindad de esta unidad o de cualquier otro aparato.
2. Un tanque de propano líquido que no esté conectado para su uso no se debe almacenar cerca de éste o cualquier otro aparato.

## Parrilla de gas propano para exteriores

Modelo n° GBC730W



### ADVERTENCIA

PARA SU SEGURIDAD:  
Solamente para uso en exteriores  
(fuera de cualquier recinto)



### ADVERTENCIA

PARA SU SEGURIDAD:  
1. Una instalación, ajuste, alteración, reparación o mantenimiento inadecuados pueden causar lesiones o daños a la propiedad.



2. Lea atentamente las instrucciones de instalación, funcionamiento y mantenimiento del equipo antes de instalarlo, ponerlo en marcha o darle servicio.  
3. El no seguir estas instrucciones puede ocasionar un incendio o una explosión, con sus consecuentes daños a la propiedad, lesiones personales y hasta accidentes fatales.

### Proposición 65 de California:

La combustión del propano crea productos químicos considerados por el Estado de California como causantes de cáncer, malformaciones congénitas u otros daños reproductivos.

Conserve estas instrucciones para futuras consultas. Si está montando esta unidad para otra persona, entéguele este manual para futuras consultas.



Fabricado en China para:  
Blue Rhino Global Sourcing, LLC  
Winston-Salem, NC EE.UU.  
1.800.762.1142, www.bluerhino.com

© 2006 Blue Rhino Global Sourcing, LLC. Todos los derechos reservados.  
UniFlame® es una marca registrada de Blue Rhino Global Sourcing, LLC. Todos los derechos reservados.

GBC730W-OM-103 ES

### Índice

Salvaguardias importantes	2
Página	2
Diagrama de explosión y elementos de ferretería	3
Instrucciones de armado	4
Instalación del tanque de gas propano líquido (PL)	8
Inserte el tanque de propano	8
Asegure el tanque de propano	8
Conecte el tanque de propano	8
Instrucciones de operación	8
Comprobar si hay fugas	8
Operación de los quemadores principales	8
Operación del quemador lateral	9
Limpieza y cuidado	10
Registro del producto	10
Garantía limitada	10
Resolución de problemas	11

El uso e instalación de este producto ha de realizarse de acuerdo con los códigos locales. Si no existen códigos locales, use las normas siguientes: *Código Nacional para Gas y Combustibles, ANSI Z223.1/NFPA 54, CAN/CGA-B149.1, Código de Instalación de Propano y Gas Natural.*